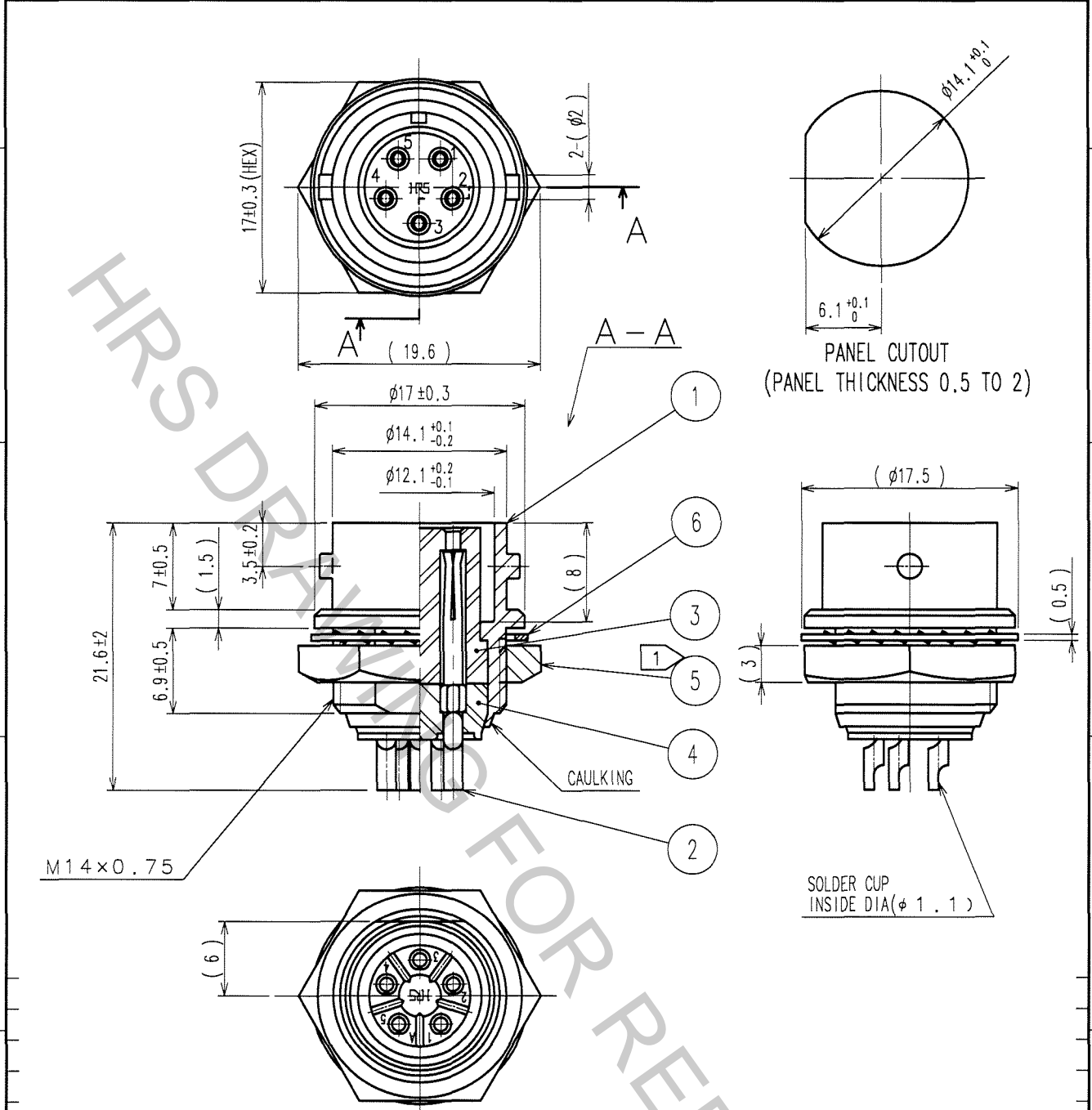


1	2				3				4					
COUNT	DESCRIPTION OF REVISIONS	BY	CHKD	DATE	COUNT	DESCRIPTION OF REVISIONS	BY	CHKD	DATE	COUNT	DESCRIPTION OF REVISIONS	BY	CHKD	DATE
△					△					△				
△					△					△				
△					△					△				



NOTE: ① THE RECOMMENDED CLAMP TORQUE OF REE .NO⑤: 2N · m

3	DIALYL PHTHALATE (BLACK) UL94V-0	6	PHOSPHOR BRONZE	NICKEL PLATING	
2	COPPER ALLOY SILVER PLATING 5μ m min.	5	BRASS	NICKEL PLATING	
1	ZINC ALLOY MATTE FINISH NICKEL PLATING	4	DIALYL PHTHALATE (BLACK) UL94V-0		
NO.	MATERIAL	FINISH, REMARKS	NO.	MATERIAL	FINISH, REMARKS

CODE NO. (OLD) CL		DRAWN <i>G. Yamada</i> 05.08.30	DESIGNED <i>G. Yamada</i> 05.08.30	CHECKED <i>H. Zemba</i> 05.09.02	APPROVED <i>M. Sato</i> 05.09.06	RELEASED
DRAWING NO. EDC4-006765-71		PART NO. RM12BRD-5S(71)				
SCALE 2 : 1		CODE NO. CL109-0612-2-71				1/1
UNITS mm		HRS HIROSE ELECTRIC CO., LTD.				

TO
R

