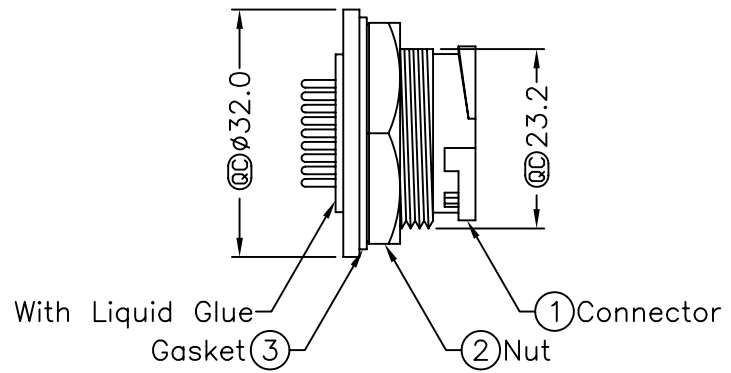
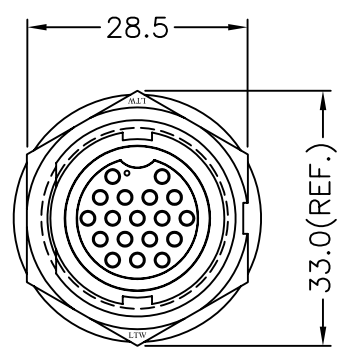
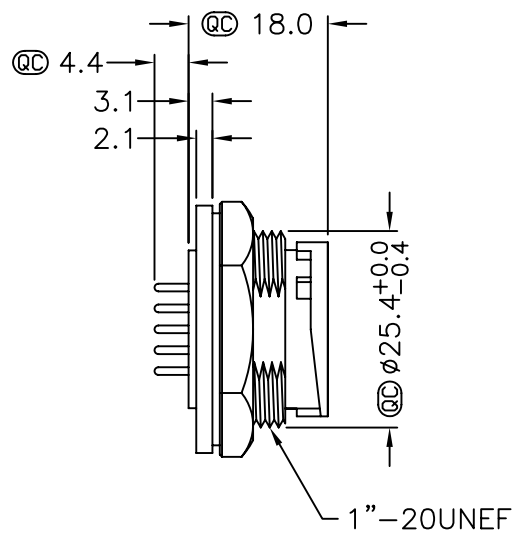
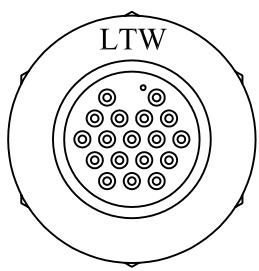
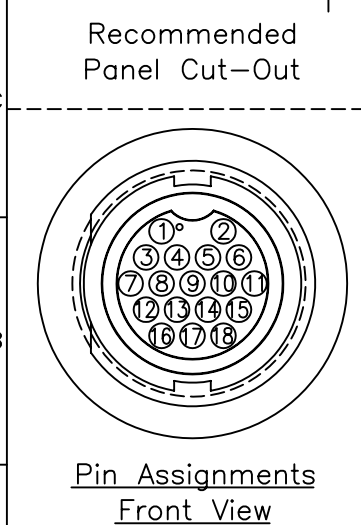
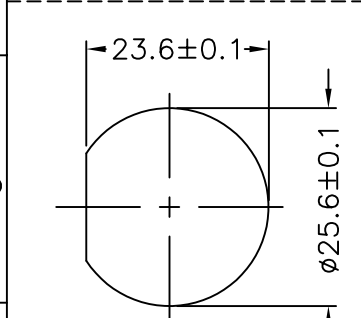
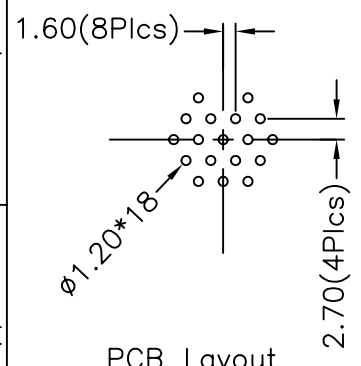


REV.	ECN NO.	DATE	SIGN	DESCRIPTION
B	LEN-8A0213	2008/09/15	Shin	Add Notes

THIS DOCUMENT IS SUBJECT TO CHANGE WITHOUT NOTICE. IT IS CONFIDENTIAL AND A PROPERTY OF LTW. DISCLOSURE TO THIRD PARTY HAS TO BE AUTHORIZED BY LTW.



LTW
CONFIDENTIAL
2008.09.15
R&D DEPT.

LTW
DCC. DEPT.
CONFIDENTIAL
2008.11.03
ISSUED

- Note:
- * QC Important Dimension.
 - * Waterproof Rate: IP67
 - * Housing: Black, Nylon+GF
 - * Pin: Copper Alloy, Gold Plated
 - * Gasket: Black, EPDM
 - * Nut: Black, Nylon+GF
 - $\triangle B^*$ Use Waterproof Cap or Dust Cap
Panel Thickness Max: 3.0mm
 - $\triangle B^*$ Use without Waterproof Cap or Dust Cap
Panel Thickness Max: 4.0mm

UNIT:mm		TITLE Lock Type Connector for Panel Mount 18Pin Male Connector Female Pin
TOLERANCE .X ±0.25 .XX ±0.1 .XXX ±0.05 ANGLES ±1°	SCALE Free	SHEET 1 OF 1
REV. B	SIZE A4	QC : Inspection Item

LTW
亮泰企業股份有限公司

ITEM NO LTWDD-18PMFP-LC7001	DRAWN BY Shin	DATE 2008/09/15
DWG NO LTWDD-18PMFP-LC7001	CHECKED BY Ivan	DATE 2008/10/25
CUSTOMER	APPROVED BY Vincent	DATE 2008/10/25