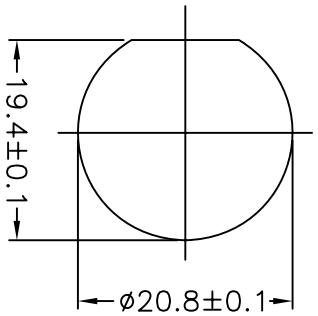
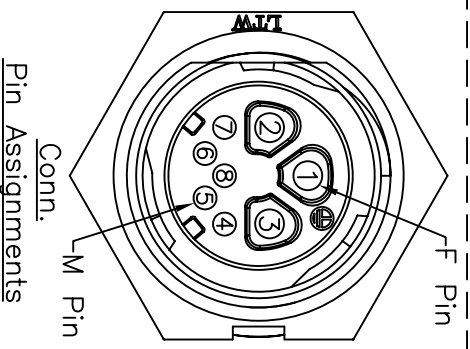
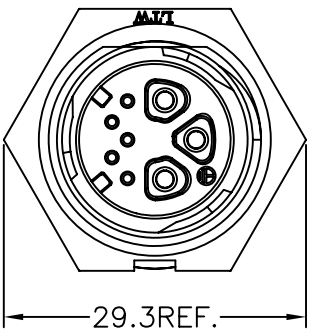
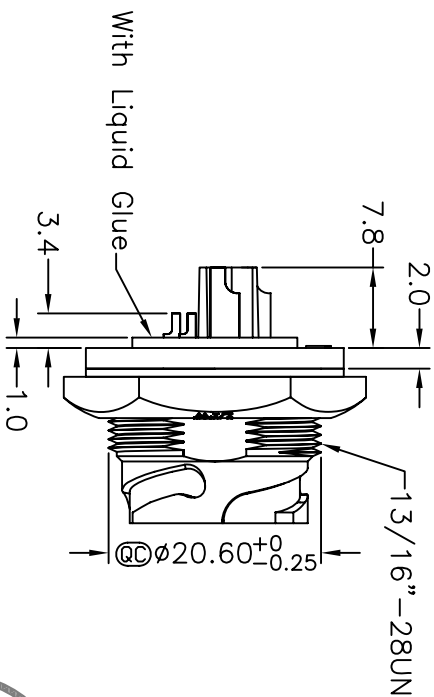
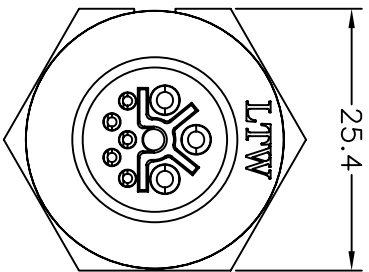
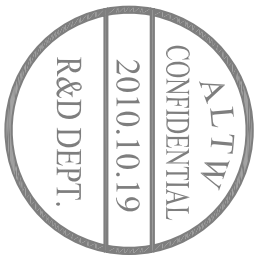
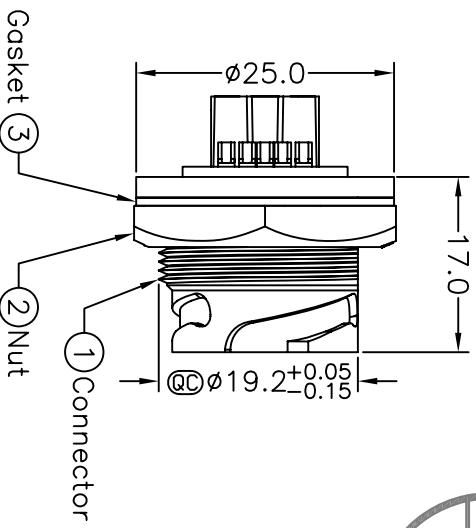


REV.	EGN. NO.	DATE	SIGN.	DESCRIPTION
A	Initial Release	2010/10/19	Jimmy	Rev.01 Changed To Rev.A



Recommended Panel Cut-Out



- Note:
- * @ Important Dimension To Check.
 - * Waterproof Rate: IP67
 - * Connector: Nylon+GF, Black
 - * Pin: Copper Alloy, Gold Plated
 - * Use With Waterproof Cap Or Dust Cap
 - * Panel Thickness Max: 3.0mm
 - * Use Without Waterproof Cap Or Dust Cap
 - * Panel Thickness Max: 4.0mm

UNIT:mm		TITLE	Hybrid Panel,Middle,3Key 3FPin(10A)+5MPin(2A)
TOLERANCE	±0.25 ±0.1 ±0.05	SCALE	Free Size A4
ANGLES	±1°	SHEET	1 OF 1
REV.	A	@@	inspection Item

Amphenol LTW
安費諾亮泰企業股份有限公司

ITEM NO	LTWCBU-08PMD5-TC7001	DRAWN BY	Jimmy	DATE	2010/10/19
DWG NO	LTWCBU-08PMD5-TC7001	CHECKED BY	Dominic	DATE	2010/10/19
CUSTOMER		APPROVED BY	Win	DATE	2010/10/19