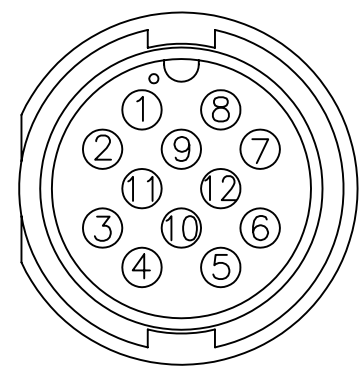
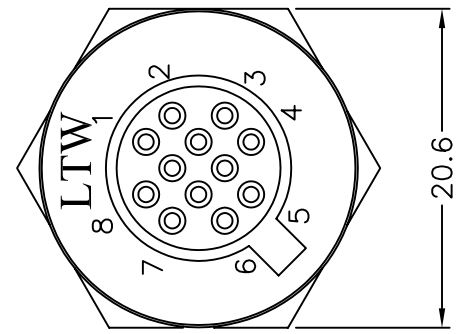
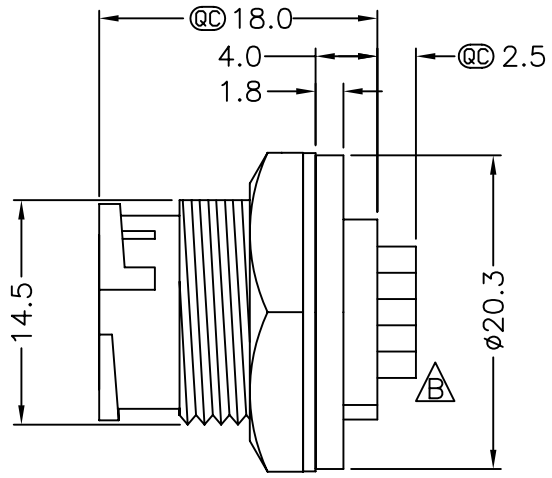
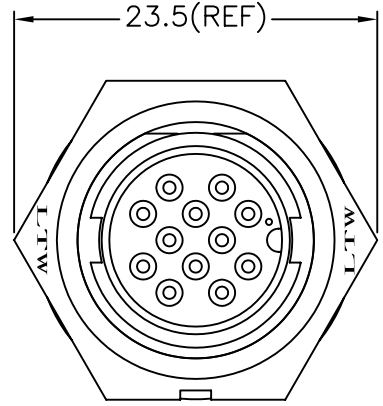


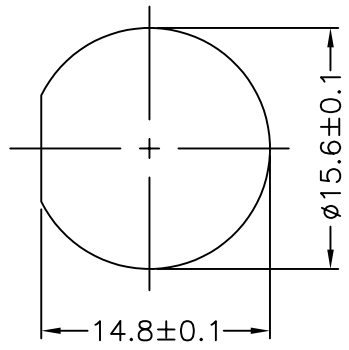
REV.	ECN NO.	DATE	SIGN	DESCRIPTION
B		2007/07/24	Jason	Change Pin Appearance
C	LEN-8B0416	2008/09/22	Shin	Add Note

LTW
CONFIDENTIAL
2008.09.22
R&D DEPT.

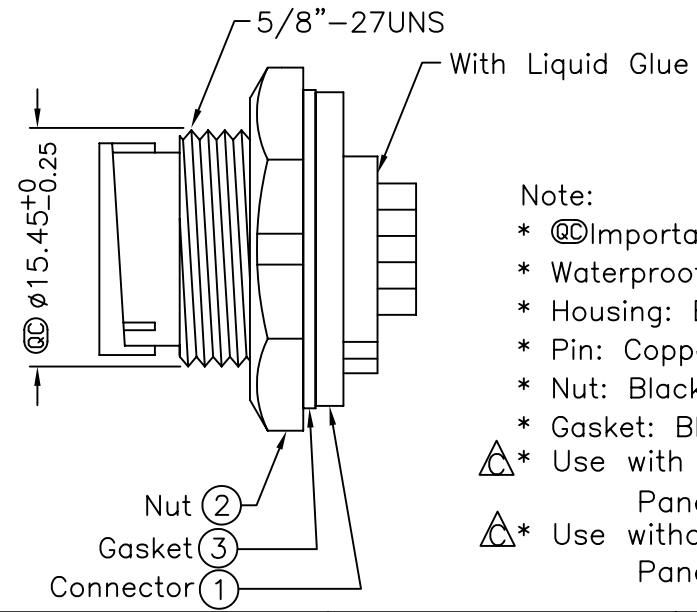
LTW
DCC. DEPT.
CONFIDENTIAL
2008.11.17
ISSUED



Pin Assignments
Front View



Recommended Panel Cut-Out



- Note:
- * @C Important Dimension To Check.
 - * Waterproof Rate: IP67
 - * Housing: Black, Nylon+GF
 - * Pin: Copper Alloy, Gold Plated
 - * Nut: Black, Nylon+GF
 - * Gasket: Black, EPDM
 - * Use with waterproof cap or dust cap
Panel Thickness Max: 3.0mm
 - * Use without waterproof cap or dust cap
Panel Thickness Max: 4.5mm

UNIT:mm		TITLE	Standard	ITEM NO	LTWBU-12PMMS-LC7001	DRAWN BY	Ivan	DATE	2008/10/30
TOLERANCE	.X ±0.25 .XX ±0.1 .XXX ±0.05 ANGLES ±1°	Panel Lock 12Pin M Conn. M Pin		DWG NO	LTWBU-12PMMS-LC7001	CHECKED BY	Tommy	DATE	2008/10/30
		SCALE	Free	SHEET	1 OF 1	APPROVED BY	Luke	DATE	2008/10/30
		REV.	C	SIZE	A4				
				@C	: Inspection Item				
		 亮泰企業股份有限公司							

THIS DOCUMENT IS SUBJECT TO CHANGE WITHOUT NOTICE. IT IS CONFIDENTIAL AND A PROPERTY OF LTW. DISCLOSURE TO THIRD PARTY HAS TO BE AUTHORIZED BY LTW.