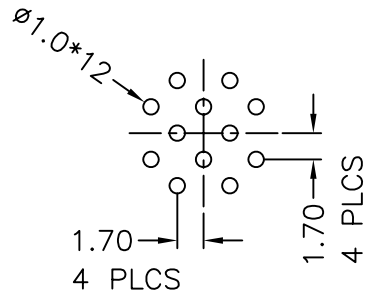
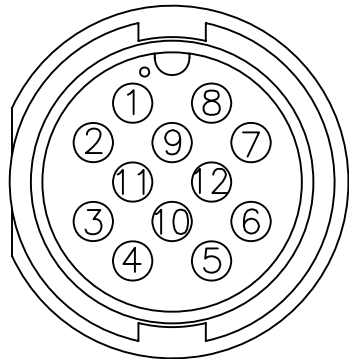
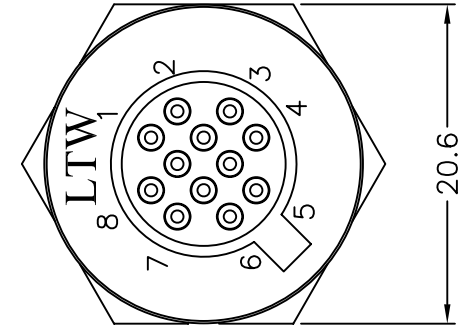
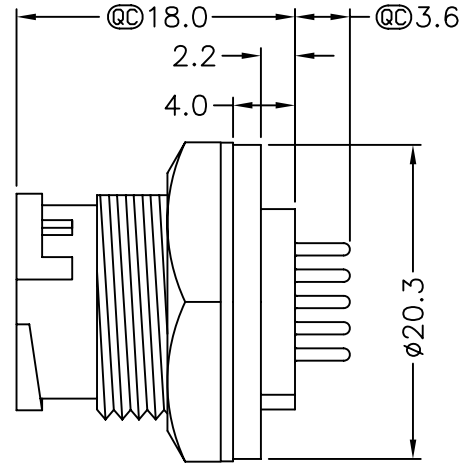
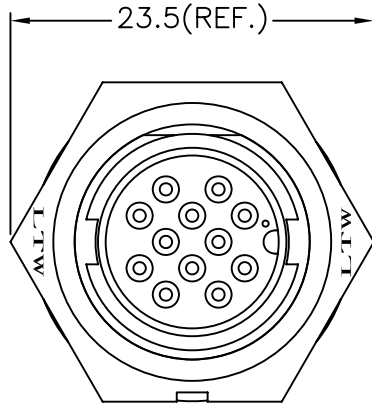


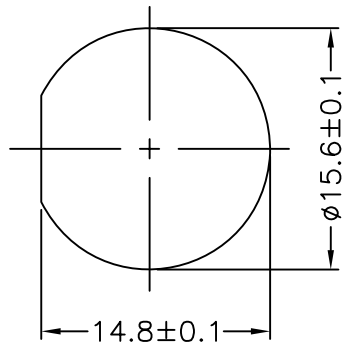
REV.	ECN NO.	DATE	SIGN	DESCRIPTION
B	LEN-8B0415	2008/09/22	Shin	Add Note
C	LEN1130454	2011/03/25	Jiang Jun Hua	Modify Nut Color.



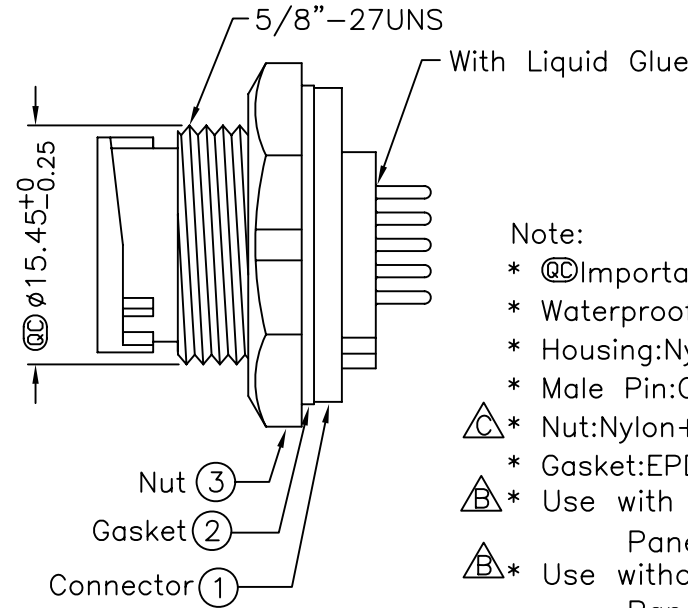
PCB Lay-Out



Pin Assignments
Front View



Recommended Panel Cut-Out



Note:

- * @C Important Dimension To Check.
- * Waterproof Rate: IP67.
- * Housing: Nylon+GF, Black.
- * Male Pin: Copper Alloy, Gold Plated.
- * Nut: Nylon+GF, Black.
- * Gasket: EPDM, Black.
- * Use with waterproof cap or dust cap
Panel Thickness Max: 3.0mm
- * Use without waterproof cap or dust cap
Panel Thickness Max: 4.5mm

UNIT:mm	
TOLERANCE	
.X	±0.25
.XX	±0.1
.XXX	±0.05
ANGLES	±1°

TITLE	Standard	
	Panel Lock 12Pin M Conn. M Pin	
SCALE	Free	SHEET 1 OF 1
REV. C	SIZE A4	@C : Inspection Item

Amphenol LTW

安費諾亮泰企業股份有限公司

ITEM NO	LTWBU-12PMMP-LC7001
DWG NO	LTWBU-12PMMP-LC7001
CUSTOMER	

DRAWN BY	Jiang Jun Hua
CHECKED BY	Tina
APPROVED BY	Can

DATE	2011/03/25
DATE	2011/03/25
DATE	2011/03/25

THIS DOCUMENT IS SUBJECT TO CHANGE WITHOUT NOTICE. IT IS CONFIDENTIAL AND A PROPERTY OF Amphenol LTW. DISCLOSURE TO THIRD PARTY HAS TO BE AUTHORIZED BY Amphenol LTW.