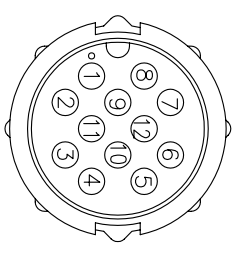
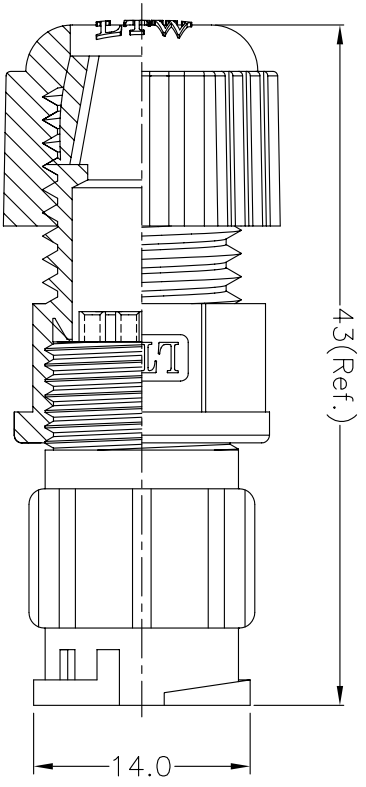
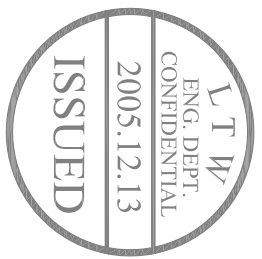
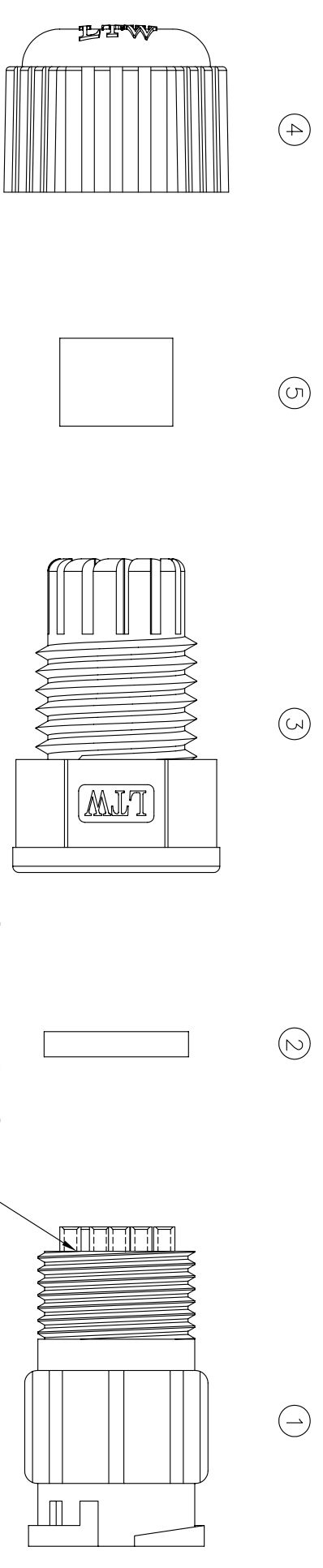


REV.	ECON. NO.	DATE	SIGN	DESCRIPTION



Pin Assignments
Front View 前視圖

NO.	NAME	COLOR	SPECIFICATION	QTY	NOTE
6	PE Bag		90*85mm(Sealed)	1	HPE00900085
5	Seals	Black	EPDM	1	DGA0064EP70
4	Sealing Nut	Black	Nylon	1	ANC223XXX01
3	Clamp Ring	Black	Nylon	1	ANC224XXX01
2	Gasket	Black	EPDM	1	DGA0063EP70
1	Connector	Black	12Pin Male,Nylon+GF(2A)	1	ZSE00100601

- Note:
1. Seals for Cable OD: $\phi 4.5\text{mm} \sim \phi 6.5\text{mm}$
(防水墊圈線徑: $\phi 4.5\text{mm} \sim \phi 6.5\text{mm}$)
 2. One Set Unassembled in One PE Bag
(每一組未組裝, 放置於一個PE袋, 并封口)
 3. @D Important Dimension.
(@D 為重點檢驗尺寸)
 4. Waterproof Rate : IP67
(防水等級 : IP67)

TITLE	12Pin Male Connector Male Pin(2A) for Field Installation, Lock Type				
SCALE	2:1	SHEET	1	OF	1
REV.	A	SIZE	A4	@D	Inspection Item
UNIT:mm					
TOLERANCE	$\pm 0.5\text{mm}$				

LTW
亮泰企業股份有限公司

ITEM NO	LTW/Bu-12BMA-LL7001	DRAWN BY	Ting	DATE	2005/11/08
DWG. NO	LTW/Bu-12BMA-LL7001	CHECKED BY	Liu Yangzhi	DATE	2005/11/09
CUSTOMER		APPROVED BY	Rita	DATE	2005/12/08