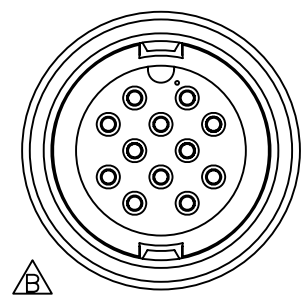
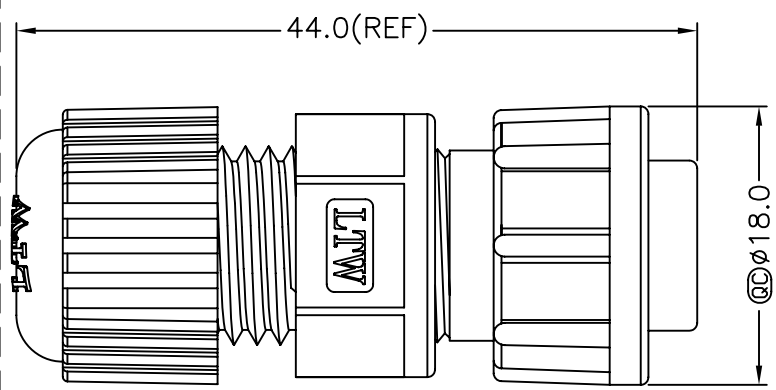
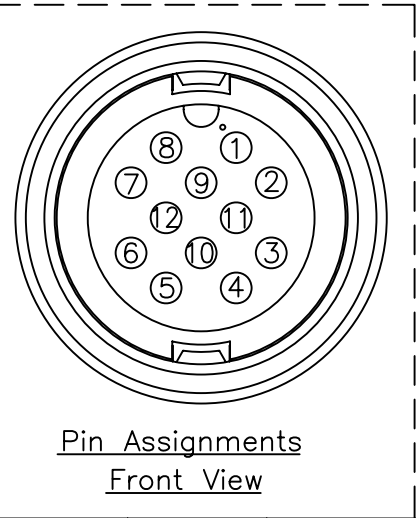
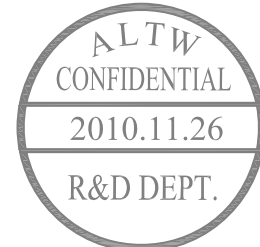
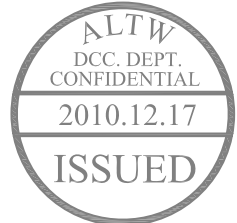
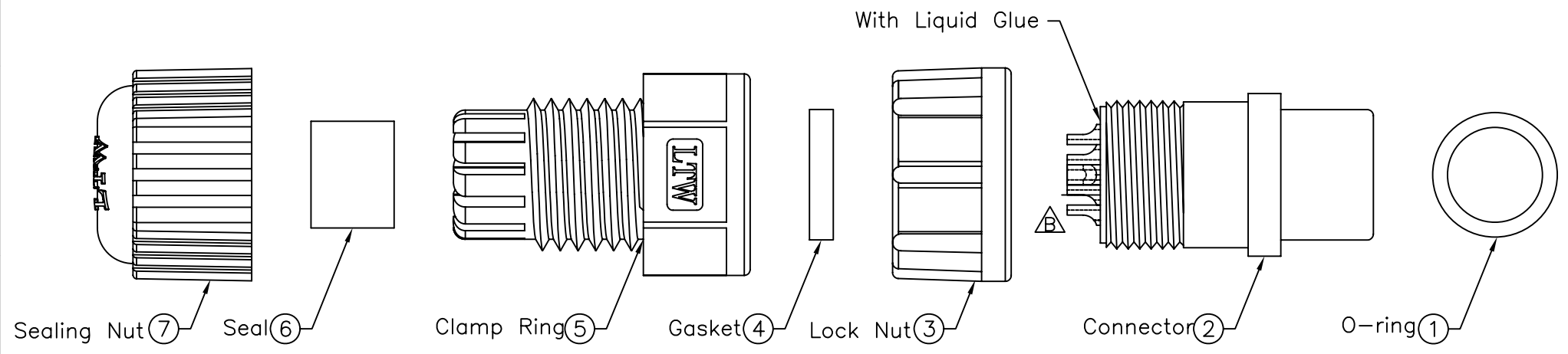


REV.	ECN NO.	DATE	SIGN	DESCRIPTION
B	LEN-0C0670	2010/11/26	Ivan	Change View

THIS DOCUMENT IS SUBJECT TO CHANGE WITHOUT NOTICE. IT IS CONFIDENTIAL AND A PROPERTY OF Amphenol LTW. DISCLOSURE TO THIRD PARTY HAS TO BE AUTHORIZED BY Amphenol LTW.



- Note:
- * @C Important Dimension To Check.
 - * Waterproof Rate: IP67
 - * Connector: Nylon+GF ,Black
 - * Female Pin: Copper Alloy, Gold Plated
 - * Lock Nut: Nylon+GF ,Black
 - * O-Ring: EPDM ,Black
 - * Gasket: EPDM ,Black
 - * Seal: EPDM ,Black
 - * Clamp Ring: Nylon66 ,Black
 - * Sealing Nut: Nylon66,Black
 - * Seal for Cable OD: $\phi 4.5\text{mm} \sim \phi 6.5\text{mm}$
 - * One Set Unassembled in One PE Bag

UNIT:mm		TITLE	Standard		ITEM NO	LTWBU-12BFFA-LL7001	DRAWN BY	Ivan	DATE	2010/11/26	
TOLERANCE	.X ±0.25 .XX ±0.1 .XXX ±0.05 ANGLES ±1°	SCALE	Free	SHEET	1 OF 1	DWG NO	LTWBU-12BFFA-LL7001	CHECKED BY	Aric	DATE	2010/11/26
REV.	B	SIZE	A4	QC	:Inspection Item	CUSTOMER		APPROVED BY	Yitung	DATE	2010/11/26

Amphenol LTW
安費諾亮泰企業股份有限公司