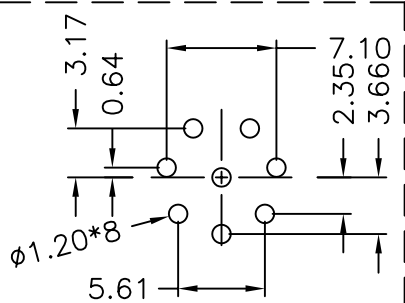
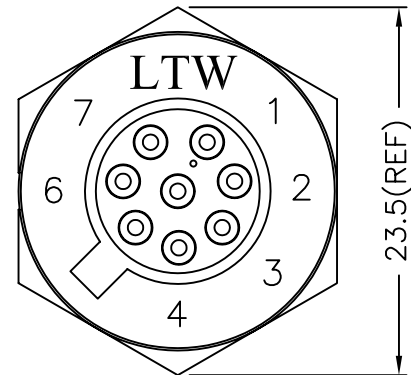
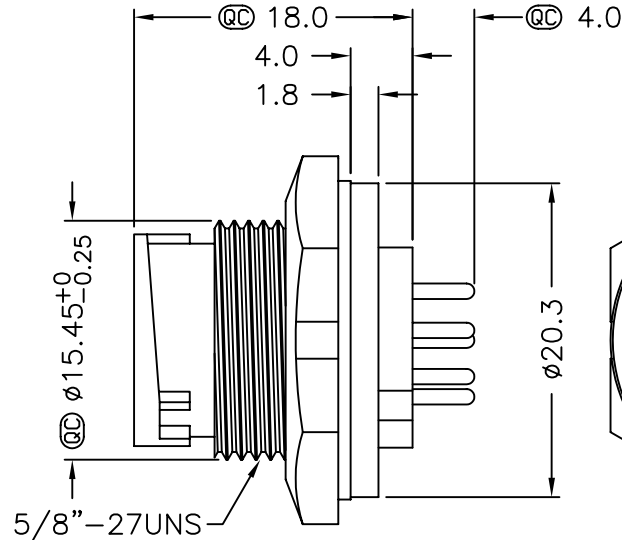
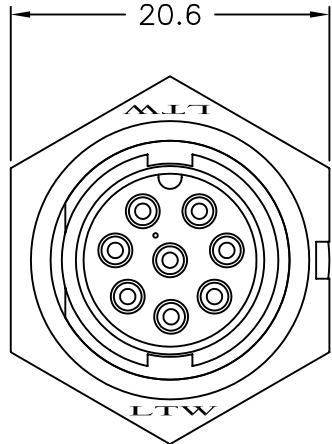
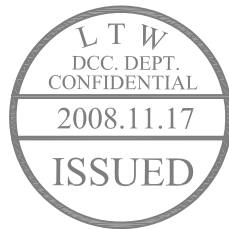
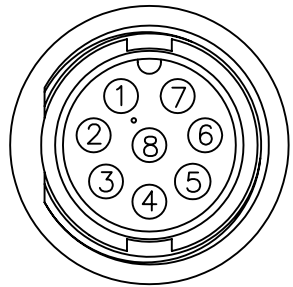


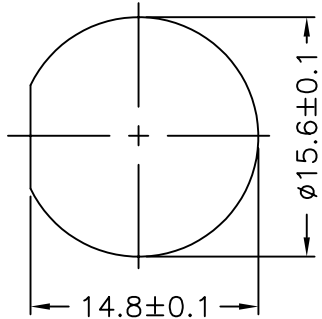
REV.	ECN NO.	DATE	SIGN	DESCRIPTION
B	LEN-8B0402	2008/09/17	Shin	Add Note



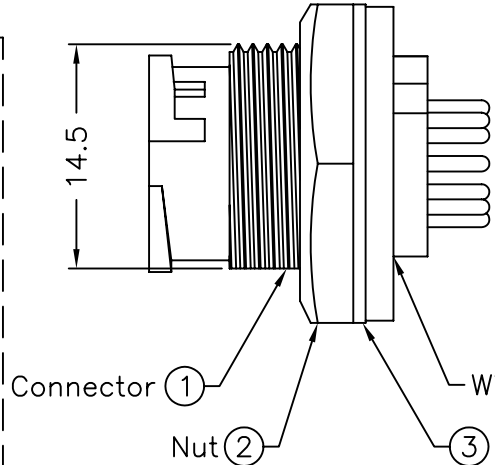
8 Pin Male Connector
Male Pin PCB Layout



Pin Assignments
Front View



Recommended Panel Cut-out



Note:

- * @C Important Dimension To Check.
- * Waterproof Rate: IP67
- * Housing: Black, Nylon+GF
- * Pin: Copper Alloy, Gold Plated
- * Nut: Black, Nylon+GF
- * Gasket: Black, EPDM
- * Use With Waterproof Cap Or Dust Cap
Panel Thickness Max: 3.0mm
- * Use Without Waterproof Cap Or Dust Cap
Panel Thickness Max: 4.5mm

LTW

亮泰企業股份有限公司

UNIT:mm		TITLE	Standard Panel Lock 8Pin M Conn M Pin	
TOLERANCE	.X ±0.25 .XX ±0.1 .XXX ±0.05 ANGLES ±1°	SCALE	Free	SHEET 1 OF 1
REV.	B	SIZE	A4	@C : Inspection Item

ITEM NO	LTWBD-08PMMP-LC7001	DRAWN BY	Ivan	DATE	2008/10/30
DWG NO	LTWBD-08PMMP-LC7001	CHECKED BY	Tommy	DATE	2008/10/30
CUSTOMER		APPROVED BY	Luke	DATE	2008/10/30

THIS DOCUMENT IS SUBJECT TO CHANGE WITHOUT NOTICE. IT IS CONFIDENTIAL AND A PROPERTY OF LTW. DISCLOSURE TO THIRD PARTY HAS TO BE AUTHORIZED BY LTW.