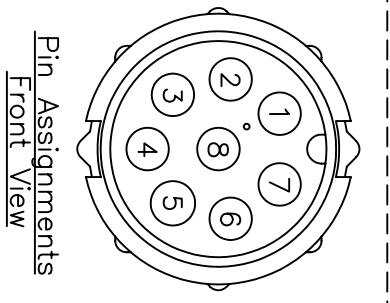
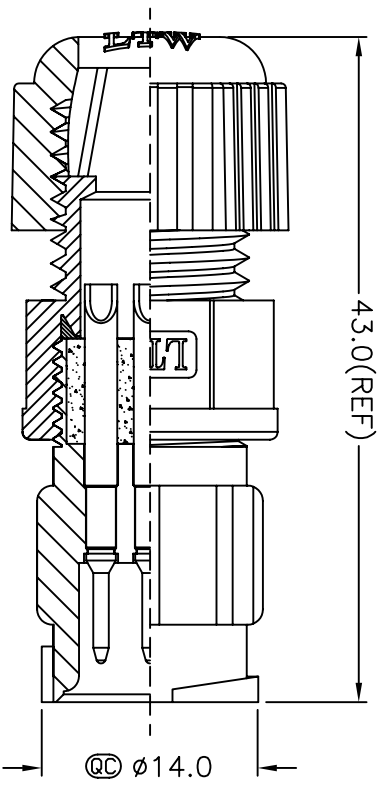
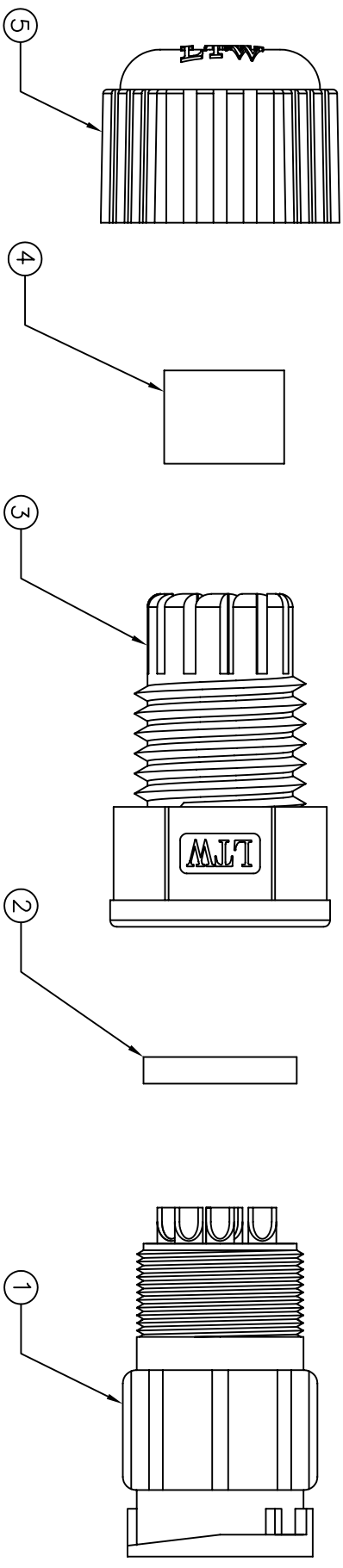
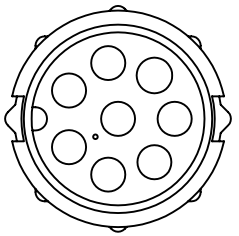


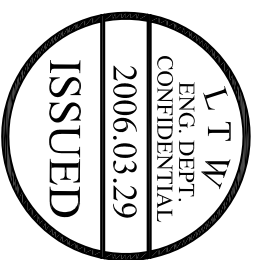
REV.	EON NO.	DATE	SIGN	DESCRIPTION



Pin Assignments
Front View



ø14.0



- Notes:
- * @Impotant Dimension To Check.
 - * Waterproof Rate:IP67
 - * Connector: Black,Nylon+GF
 - * Pin: Brass,Gold Plated
 - * Gasket: Black,EPDM
 - * Clamp Ring: Black,Nylon
 - * Seals For Cable OD:ø4.5mm~ø6.5mm.
 - * Sealing Nut: Black,Nylon
 - * One Set Unassembled in One PE Bag

UNIT:mm TOLERANCE X ±0.25 XX ±0.1 XXX ±0.05 ANGLES ±1°		TITLE Standard 8Pin M Conn. Assembly		SCALE Free		SHEET 1 OF 1		REV. A		SIZE A4		@: Inspection Item			
LTW 亮泰企業股份有限公司				ITEM NO LTWBD-08BMMA-LL7001		DRAWN BY Ronald		DATE 2006/03/23		DWG NO LTWBD-08BMMA-LL7001		CHECKED BY Michael Cadiente		DATE 2006/03/23	
CUSTOMER				DATE 2006/03/23		APPROVED BY Win		DATE 2006/03/23		DATE 2006/03/23		DATE 2006/03/23			