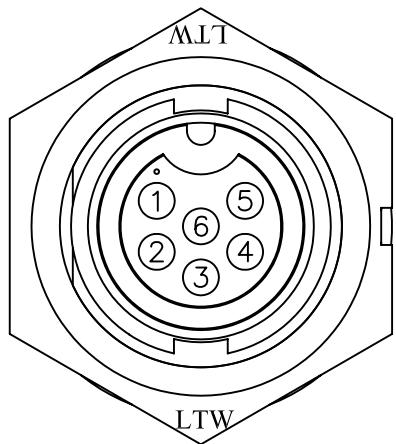
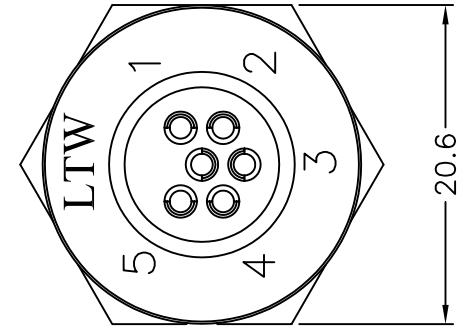
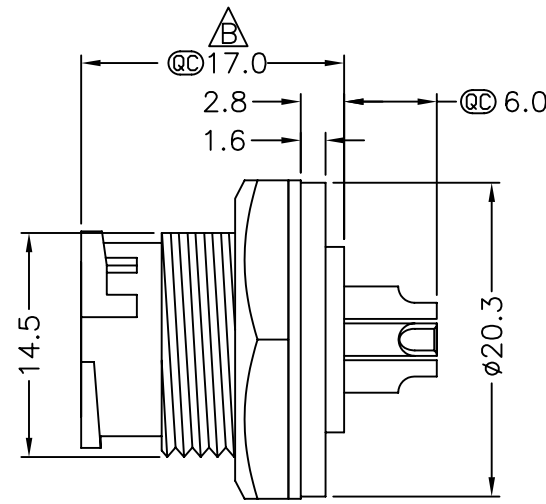
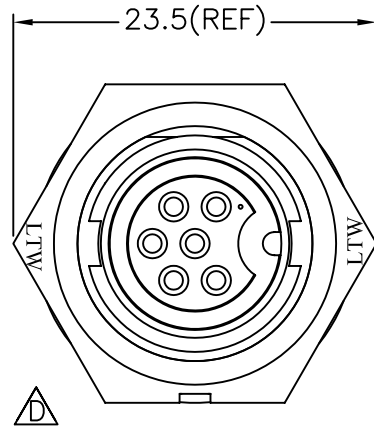
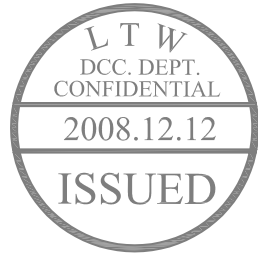
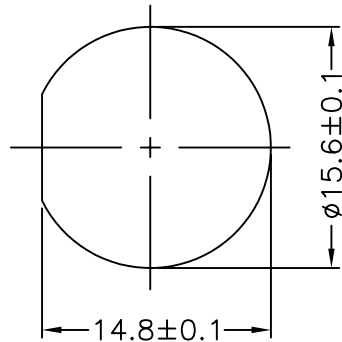


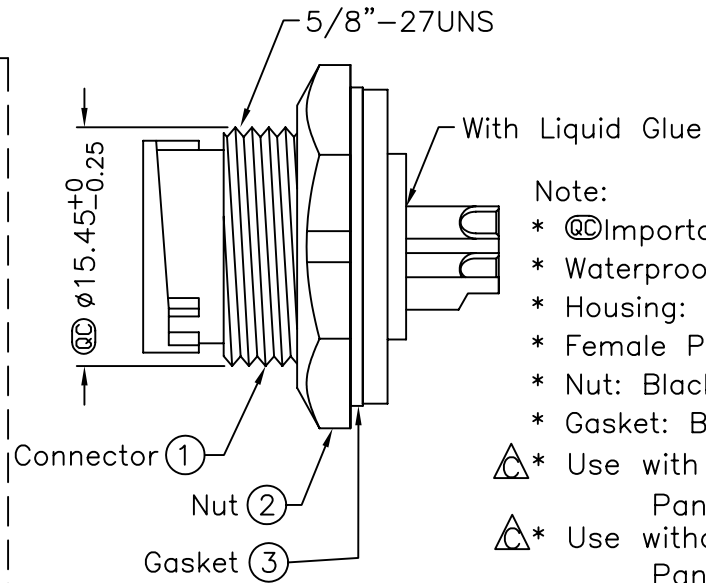
REV.	ECN NO.	DATE	SIGN	DESCRIPTION
B		2007/04/27	J.Espiritu	Change Precision OF Dimension 17.00 To 17.0
C		2008/09/19	Shin	Add Note
D	LE3-8C0043	2008/11/07	TOMMY	Change To Pin Hole



Pin Assignments
Front View



Recommended Panel Cut-Out



Note:

- * @QC Important Dimension To Check.
- * Waterproof Rate: IP67
- * Housing: Black, Nylon+GF
- * Female Pin: Copper Alloy, Gold Plated
- * Nut: Black, Nylon+GF
- * Gasket: Black, EPDM

- △ * Use with waterproof cap or dust cap
Panel Thickness Max: 3.0mm
- △ * Use without waterproof cap or dust cap
Panel Thickness Max: 4.5mm

UNIT:mm	
TOLERANCE	
.X	±0.25
.XX	±0.1
.XXX	±0.05
ANGLES	±1°

TITLE	Standard	
	Panel Lock 6Pin M Conn. F Pin	
SCALE	Free	SHEET 1 OF 1
REV. D	SIZE A4	@C :Inspection Item

LTW
亮泰企業股份有限公司

ITEM NO	LTWBD-06PMFS-LC7001
DWG NO	LTWBD-06PMFS-LC7001
CUSTOMER	

DRAWN BY	TOMMY
CHECKED BY	Ivan
APPROVED BY	Luke

DATE	2008/11/07
DATE	2008/11/07
DATE	2008/11/07

THIS DOCUMENT IS SUBJECT TO CHANGE WITHOUT NOTICE. IT IS CONFIDENTIAL AND A PROPERTY OF LTW. DISCLOSURE TO THIRD PARTY HAS TO BE AUTHORIZED BY LTW.