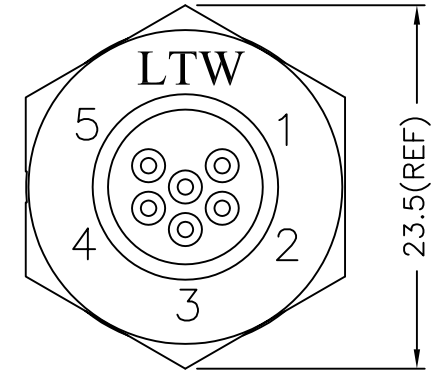
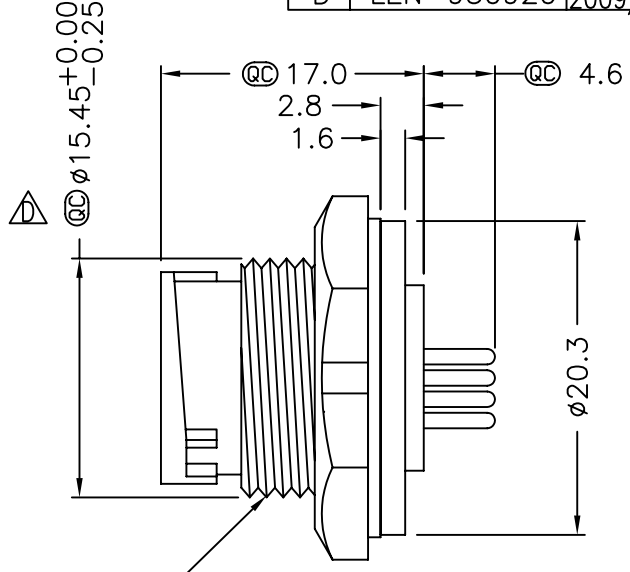
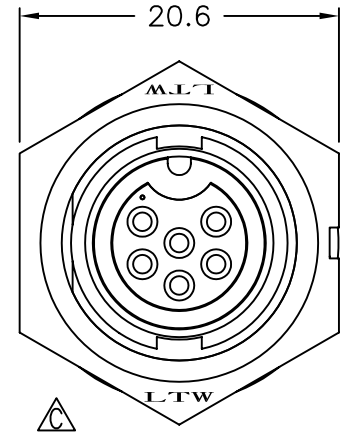
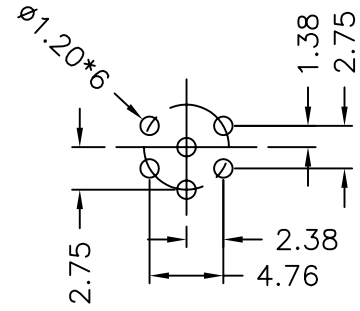
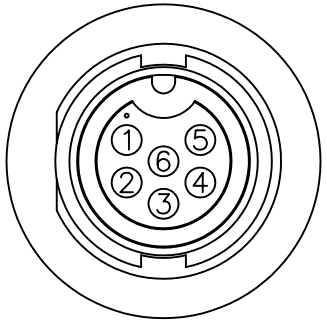


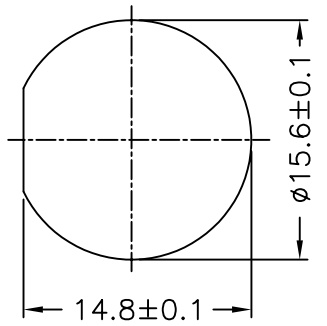
REV.	ECN NO.	DATE	SIGN	DESCRIPTION
B		2008/09/19	Shin	Add Note
C	LE3-8C0041	2008/11/07	TOMMY	Change To Pin Hole
D	LEN-930920	2009/03/10	Jiang Jun Hua	Change Tolerance



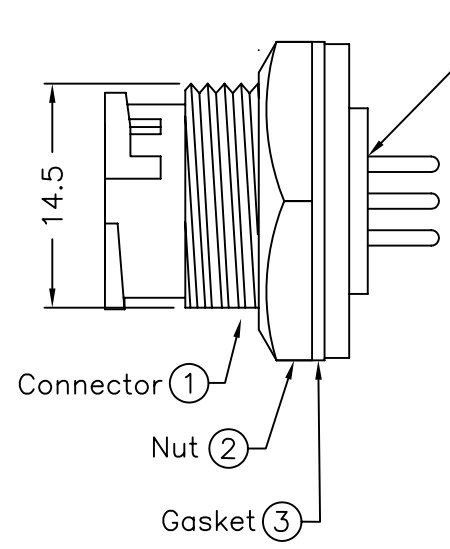
6 Pin Male Connector
Female Pin PCB Layout



Pin Assignments
Front View

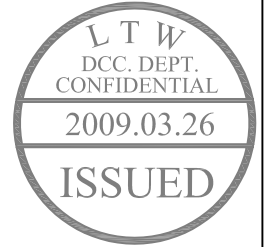


Recommended Panel Cut-Out



With Liquid Glue

- Note:
- * @C Important Dimension To Check.
 - * Waterproof Rate: IP67
 - * Housing: Black, Nylon+GF
 - * Pin: Copper Alloy, Gold Plated
 - * Nut: Nylon+GF
 - * Gasket: Black, EPDM
 - * Use with waterproof cap or dust cap
Panel Thickness Max: 3.0mm
 - * Use without waterproof cap or dust cap
Panel Thickness Max: 4.5mm



UNIT:mm	
TOLERANCE	
.X	± 0.25
.XX	± 0.1
.XXX	± 0.05
ANGLES	$\pm 1^\circ$

TITLE	Standard Panel Lock 6Pin M Conn F Pin	
SCALE	Free	SHEET 1 OF 1
REV.	D	SIZE A4 @C :Inspection Item

LTW
亮泰企業股份有限公司

ITEM NO	LTWBD-06PMFP-LC7001
DWG NO	LTWBD-06PMFP-LC7001
CUSTOMER	

DRAWN BY	Jiang Jun Hua
CHECKED BY	Sunny
APPROVED BY	Bin

DATE	2009/03/10
DATE	2009/03/10
DATE	2009/03/12

THIS DOCUMENT IS SUBJECT TO CHANGE WITHOUT NOTICE. IT IS CONFIDENTIAL AND A PROPERTY OF LTW. DISCLOSURE TO THIRD PARTY HAS TO BE AUTHORIZED BY LTW.

A B C D E F