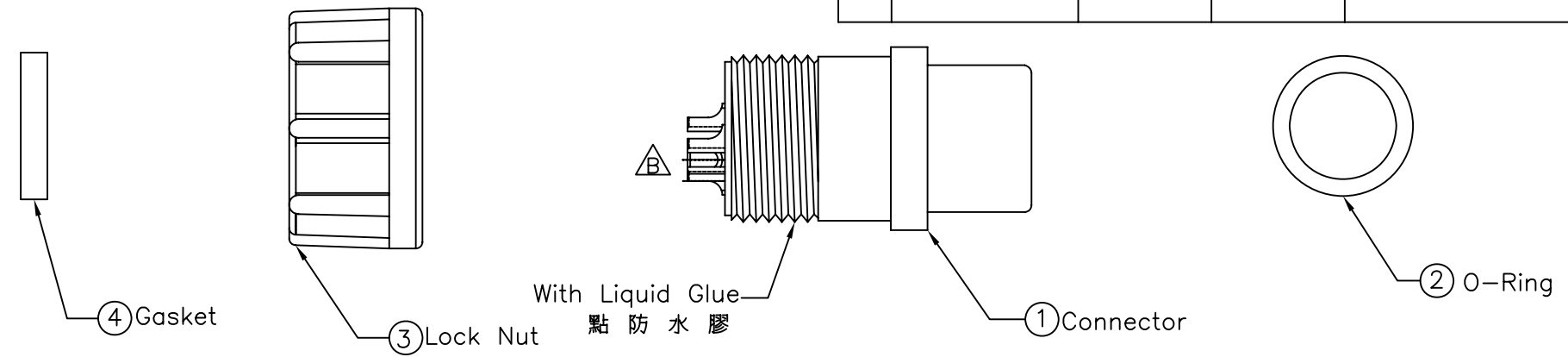
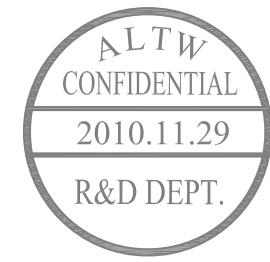
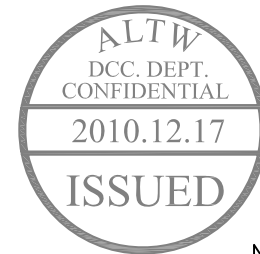
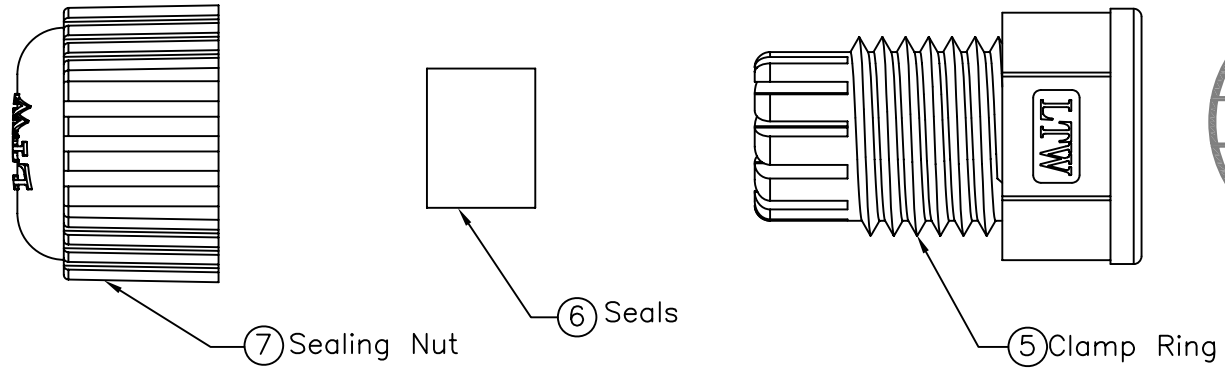


REV.	ECN NO.	DATE	SIGN	DESCRIPTION
B	LEN-0C0588	2010/11/29	IVAN	Change View

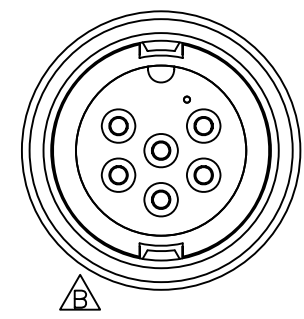
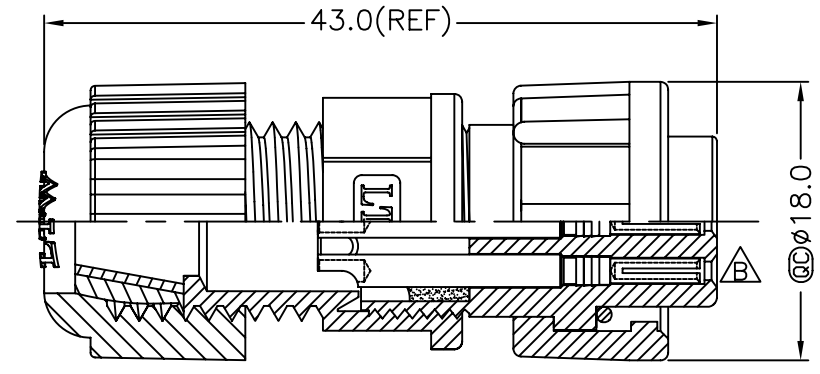
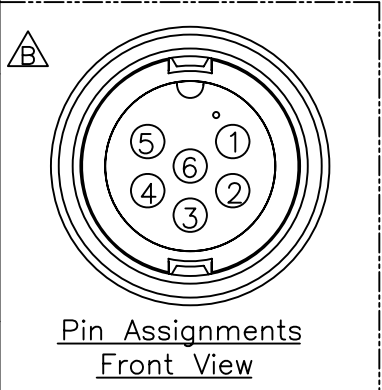
THIS DOCUMENT IS SUBJECT TO CHANGE WITHOUT NOTICE. IT IS CONFIDENTIAL AND A PROPERTY OF Amphenol LTW. DISCLOSE TO THIRD PARTY HAS TO BE AUTHORIZED BY Amphenol LTW.



With Liquid Glue  
點防水膠



- Note:
- \* @C Important Dimension To Check.
  - \* Waterproof Rate : IP67
  - \* Housing:Nylon+GF,Black
  - \* Female Pin: Copper alloy, Gold Plated
  - \* O-Ring:EPDM,Black
  - \* Lock Nut:Nylon+GF,Black
  - \* Gasket:EPDM,Black
  - \* Seals:EPDM,Black
  - \* Clamp Ring:Nylon,Black
  - \* Sealing Nut:Nylon,Black
- \* Seals for Cable OD:φ4.5mm~φ6.5mm  
( 防水墊圈線徑 :4.5mm~φ6.5mm )
- \* One Set Unassembled in One PE Bag  
( 每一組未組裝, 放置於一個 PE 袋, 並封口 )



UNIT:mm	TITLE Standard 6Pin F Conn. For Assy	<b>Amphenol LTW</b> 安費諾亮泰企業股份有限公司		ITEM NO LTWBD-06BFFA-LL7001	DRAWN BY IVAN	DATE 2010/11/29
TOLERANCE .X ±0.25 .XX ±0.1 .XXX ±0.05 ANGLES ±1°	SCALE Free	SHEET 1 OF 1		DWG NO LTWBD-06BFFA-LL7001	CHECKED BY TARRY	DATE 2010/11/29
1	REV. B	SIZE A4	@C :Inspection Item	CUSTOMER	APPROVED BY YITUNG	DATE 2010/11/29
2	3	4	5	6	7	8 FMW0702-01-01A2