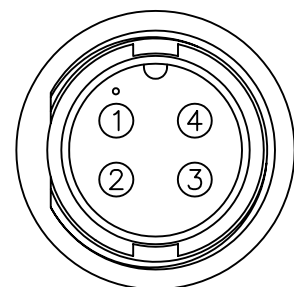
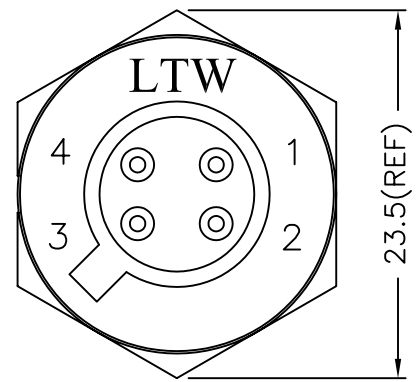
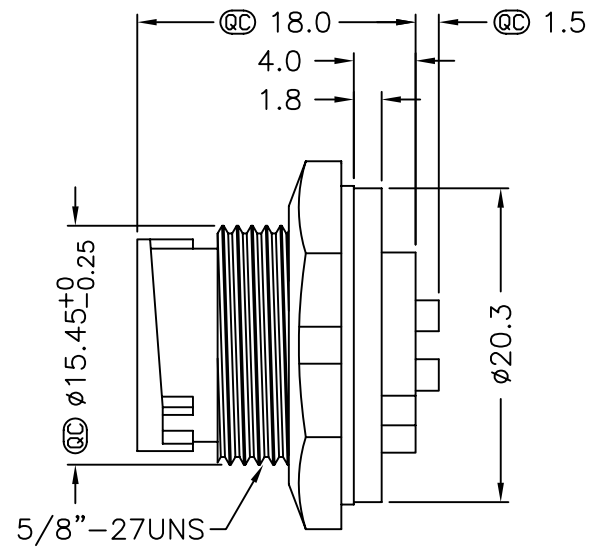
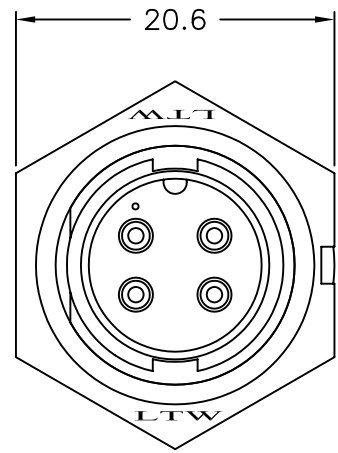


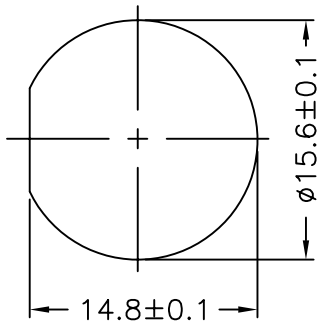
REV.	ECN NO.	DATE	SIGN	DESCRIPTION
B	LEN-8B0376	2008/09/17	Shin	Add Note

LTW
DCC. DEPT.
CONFIDENTIAL
2008.11.17
ISSUED

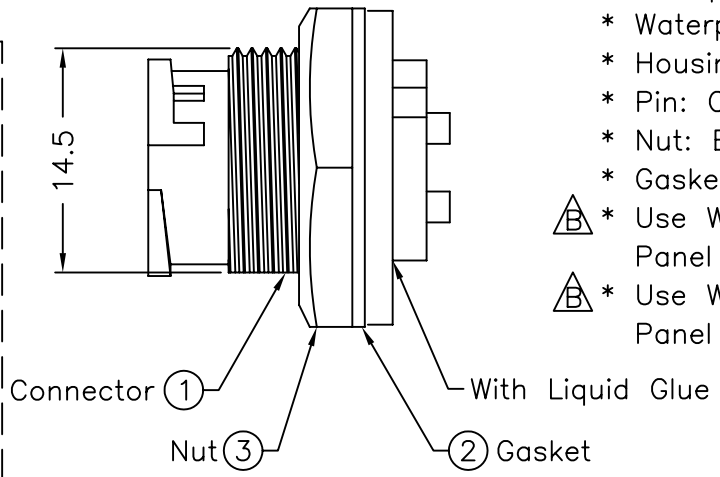
LTW
CONFIDENTIAL
2008.09.17
R&D DEPT.



Pin Assignments
Front View



Recommended Panel Cut-out



Note:

- * @C Important Dimension To Check.
- * Waterproof Rate: IP67
- * Housing: Black, Nylon+GF
- * Pin: Copper Alloy, Gold Plated
- * Nut: Black, Nylon+GF
- * Gasket: Black, EPDM
- * Use With Waterproof Cap Or Dust Cap
Panel Thickness Max: 3.0mm
- * Use Without Waterproof Cap Or Dust Cap
Panel Thickness Max: 4.5mm

UNIT:mm	
TOLERANCE	
.X	±0.25
.XX	±0.1
.XXX	±0.05
ANGLES	±1°

TITLE	Standard Panel Lock 4Pin M Conn M Pin	
SCALE	Free	SHEET 1 OF 1
REV.	B	SIZE A4 @C :Inspection Item

LTW
亮泰企業股份有限公司

ITEM NO	LTWBD-04PMMS-LC7001
DWG NO	LTWBD-04PMMS-LC7001
CUSTOMER	

DRAWN BY	Ivan
CHECKED BY	Tommy
APPROVED BY	Luke

DATE	2008/10/30
DATE	2008/10/30
DATE	2008/10/30

THIS DOCUMENT IS SUBJECT TO CHANGE WITHOUT NOTICE. IT IS CONFIDENTIAL AND A PROPERTY OF LTW. DISCLOSURE TO THIRD PARTY HAS TO BE AUTHORIZED BY LTW.