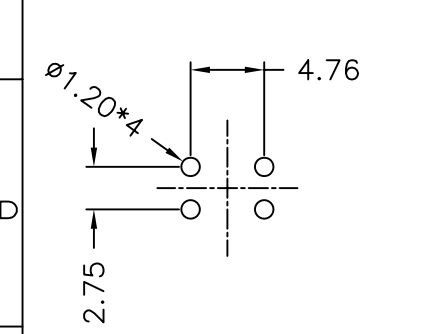
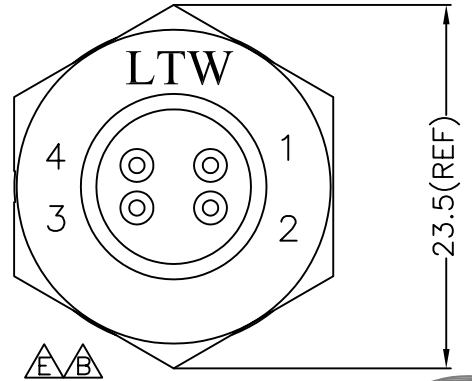
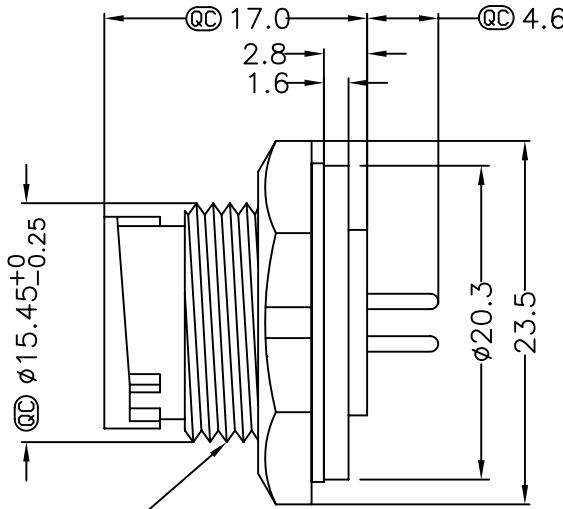
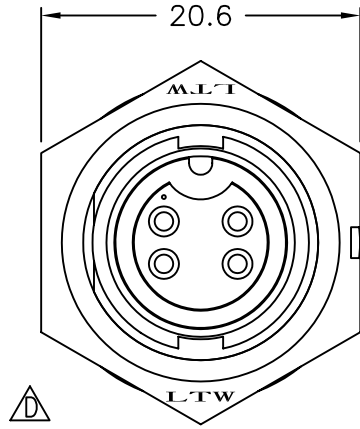
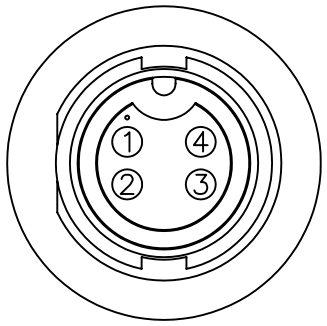


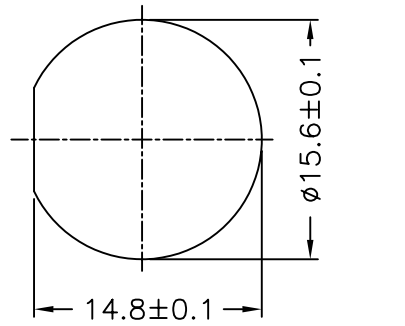
REV.	ECN NO.	DATE	SIGN	DESCRIPTION
C		2008/09/19	Shin	Add Note
D	LE3-8C0098	2008/11/07	TOMMY	Change To Pin Hole
E	LEN-010133	2010/01/21	Li Xiu Zhi	Change View



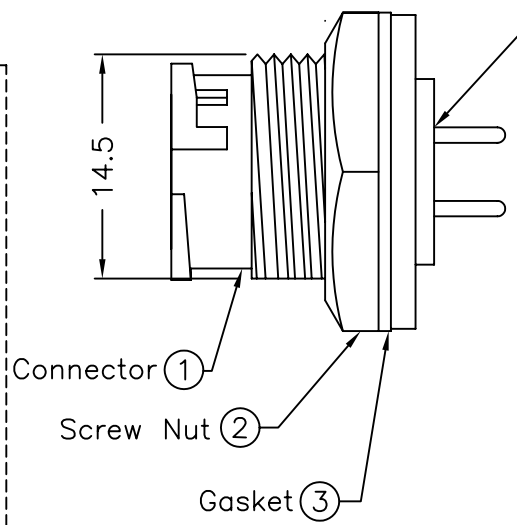
4 Pin Male Connector
Female Pin PCB Layout



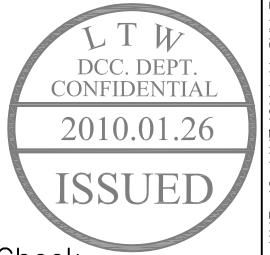
Pin Assignments
Front View



Recommended Panel Cut-Out



- Note:
- * @C Important Dimension To Check.
 - * Waterproof Rate: IP67
 - * Housing: Nylon+GF, Black
 - * Pin: Copper Alloy, Gold Plated
 - * Screw Nut: Nylon+GF
 - * Gasket: EPDM, Black
 - * Use with waterproof cap or dust cap
Panel Thickness Max: 3.0mm
 - * Use without waterproof cap or dust cap
Panel Thickness Max: 4.5mm



UNIT:mm	
TOLERANCE	
.X	±0.25
.XX	±0.1
.XXX	±0.05
ANGLES	±1°

TITLE		Standard	
Panel Lock 4Pin M Conn F Pin			
SCALE	Free	SHEET	1 OF 1
REV.	E	SIZE	A4
		@C	: Inspection Item

LTW
亮泰企業股份有限公司

ITEM NO	LTWBD-04PMFP-LC7001
DWG NO	LTWBD-04PMFP-LC7001
CUSTOMER	

DRAWN BY	Li Xiu Zhi
CHECKED BY	Sunny
APPROVED BY	Can

DATE	2010/01/21
DATE	2010/01/21
DATE	2010/01/21

THIS DOCUMENT IS SUBJECT TO CHANGE WITHOUT NOTICE. IT IS CONFIDENTIAL AND A PROPERTY OF LTW. DISCLOSURE TO THIRD PARTY HAS TO BE AUTHORIZED BY LTW.