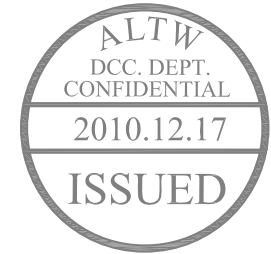
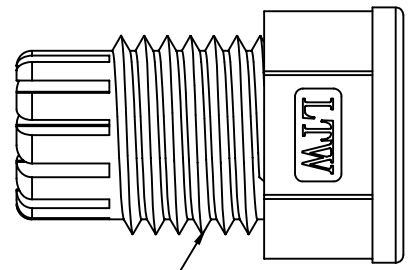
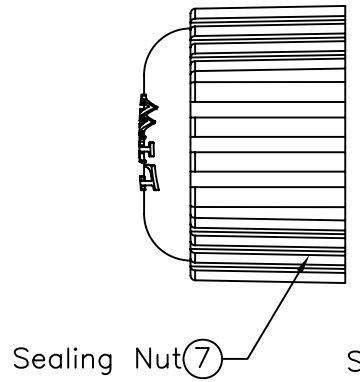
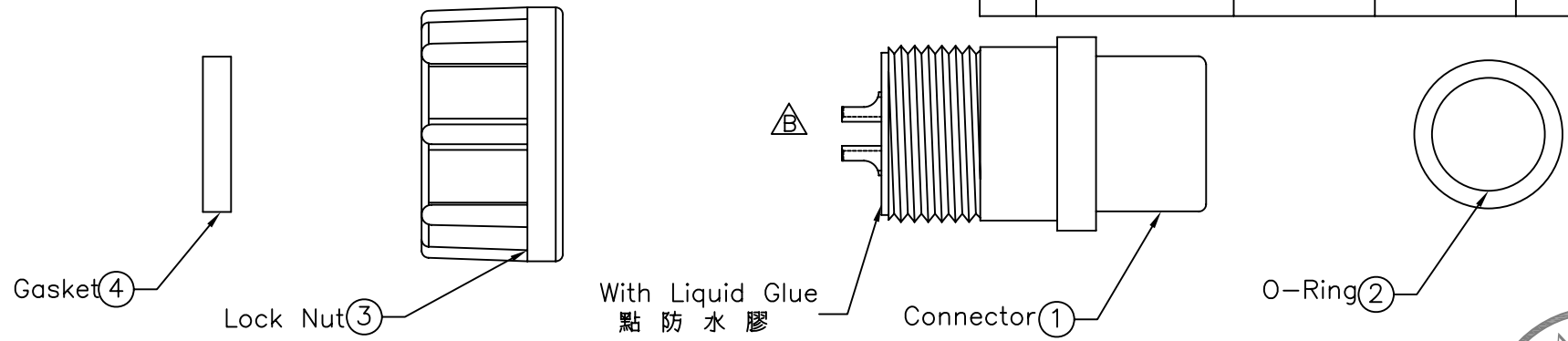


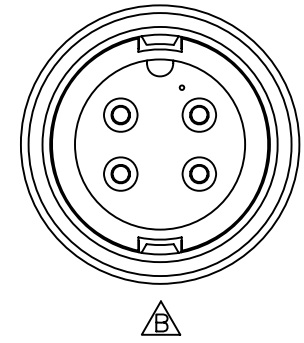
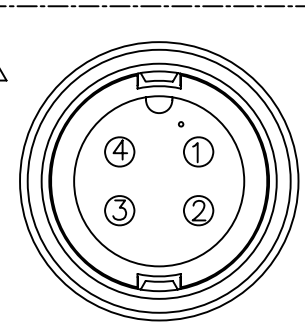
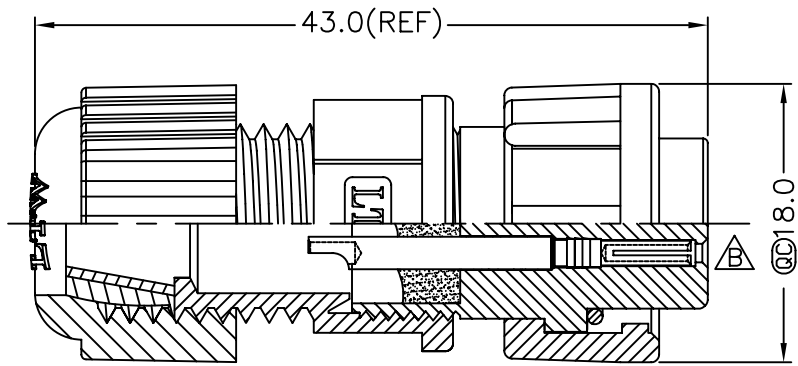
REV	ECN NO.	DATE	SIGN	DESCRIPTION
B	LEN-0C0584	2010/11/29	IVAN	Change View

THIS DOCUMENT IS SUBJECT TO CHANGE WITHOUT NOTICE. IT IS CONFIDENTIAL AND A PROPERTY OF Amphenol LTW. DISCLOSE TO THIRD PARTY HAS TO BE AUTHORIZED BY Amphenol LTW.



Note:

- * @C Important Dimension To Check.
- * Waterproof Rate : IP67
- * Housing:Nylon+GF,Black
- * Female Pin: Copper alloy, Gold Plated
- * O-Ring:EPDM,Black
- * Lock Nut:Nylon+GF,Black
- * Gasket:EPDM,Black
- * Seals:EPDM,Black
- * Clamp Ring:Nylon,Black
- * Sealing Nut:Nylon,Black
- * Seals for Cable OD:φ4.5mm~φ6.5mm
(防水墊圈線徑 :4.5mm~φ6.5mm)
- * One Set Unassembled in One PE Bag
(每一組未組裝, 放置於一個 PE 袋, 並封口)



UNIT:mm		TITLE Standard 4Pin F Conn. For Assy
TOLERANCE .X ±0.25 .XX ±0.1 .XXX ±0.05 ANGLES ±1°	SCALE Free	SHEET 1 OF 1
REV. B	SIZE A4	@C :Inspection Item

Amphenol LTW
安費諾亮泰企業股份有限公司

ITEM NO LTWBD-04BFFA-LL7001	DRAWN BY IVAN	DATE 2010/11/29
DWG NO LTWBD-04BFFA-LL7001	CHECKED BY TARRY	DATE 2010/11/29
CUSTOMER	APPROVED BY YITUNG	DATE 2010/11/29