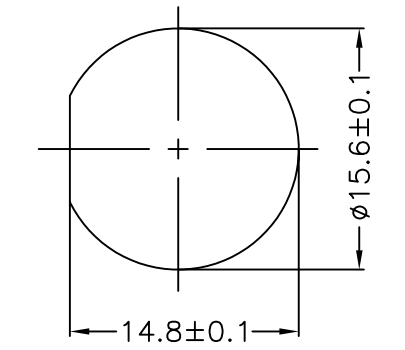
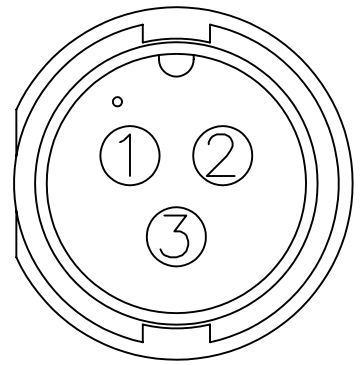
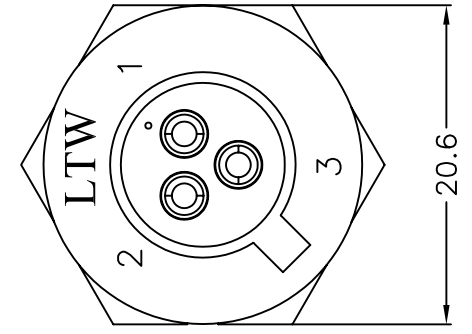
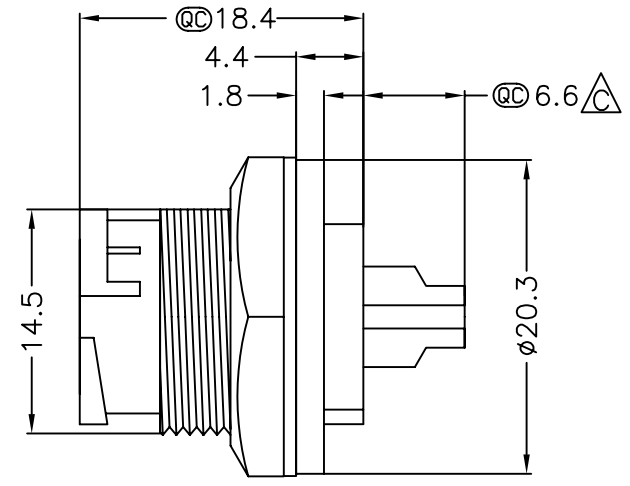
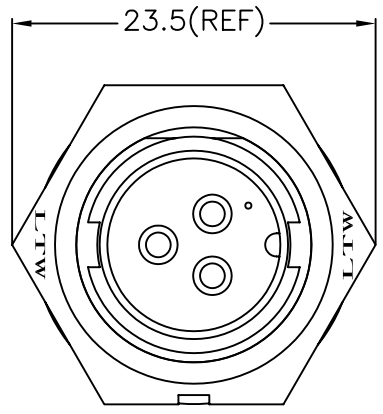


| REV. | ECN NO. | DATE | SIGN | DESCRIPTION |
|------|------------|------------|------------|---|
| B | LEN-8B0352 | 2008/09/17 | Shin | Add Note and Update Drawing to New Format |
| C | LEN-010062 | Li Xiu Zhi | 2010/10/14 | Change 6.5 to 6.6 |

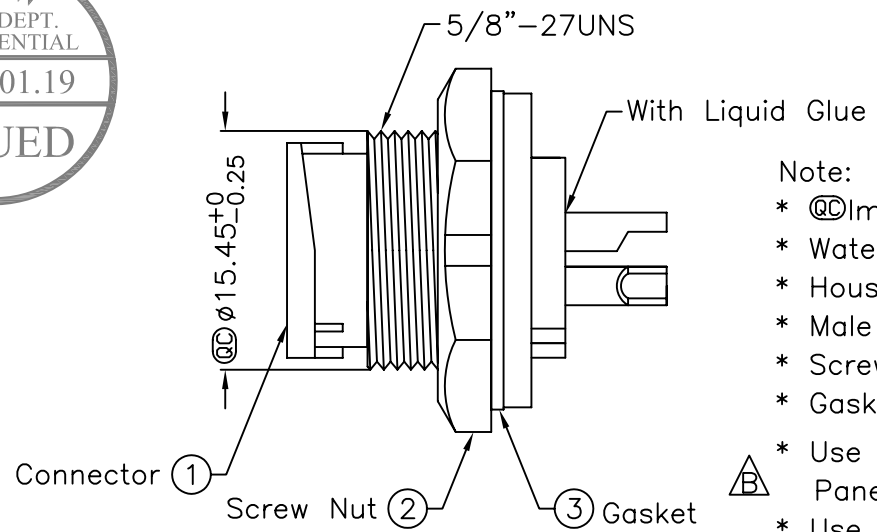
THIS DOCUMENT IS SUBJECT TO CHANGE WITHOUT NOTICE. IT IS CONFIDENTIAL AND A PROPERTY OF LTW. DISCLOSURE TO THIRD PARTY HAS TO BE AUTHORIZED BY LTW.



Recommended Panel Cut-Out



Pin Assignments
Front View



- Note:
- * @C Important Dimension To Check.
 - * Waterproof Rate: IP67
 - * Housing: Nylon+GF ,Black
 - * Male Pin: Copper Alloy, Gold Plated
 - * Screw Nut: Nylon+GF, Black
 - * Gasket: EPDM ,Black
 - * Use with Waterproof Cap or Dustcap
Panel Thickness Max: 3.0mm
 - * Use without Waterproof Cap or Dustcap
Panel Thickness Max: 4.5mm

| | | | | | | | | |
|---|------------|---|-----------------|----------------|--------------------|--------------------------------|------------------------|--------------------|
| UNIT:mm | | TITLE Standard Panel Lock 3Pin M Conn. M Pin | | 亮泰企業股份有限公司 | | ITEM NO LTWBB-03PMMS-LC7001 | DRAWN BY Li Xiu Zhi | DATE 2010/10/14 |
| TOLERANCE .X ±0.25 .XX ±0.1 .XXX ±0.05 ANGLES ±1° | | SCALE Free | SHEET 1 OF 1 | | | DWG NO LTWBB-03PMMS-LC7001 | CHECKED BY Sunny | DATE 2010/10/14 |
| REV. C | SIZE A4 | @C :Inspection Item | | CUSTOMER | APPROVED BY Can | DATE 2010/10/14 | 8 FMW10702-01-01A1 | |