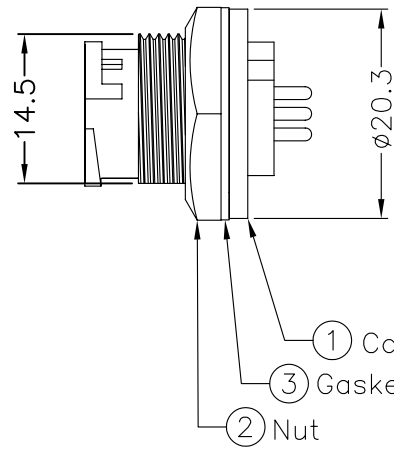
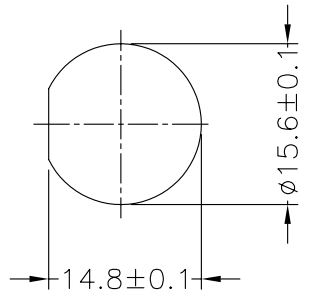
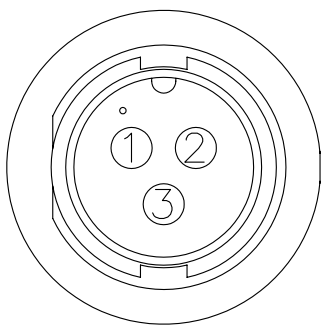
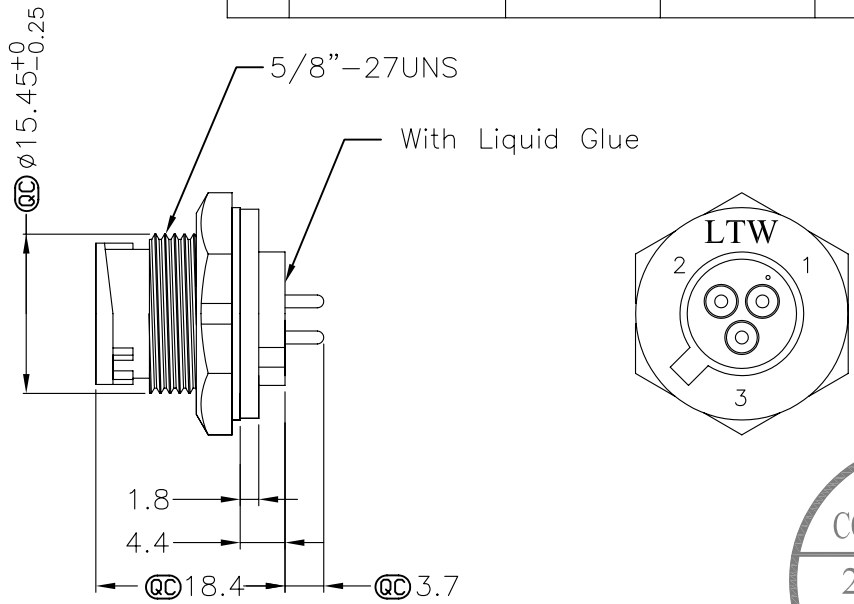
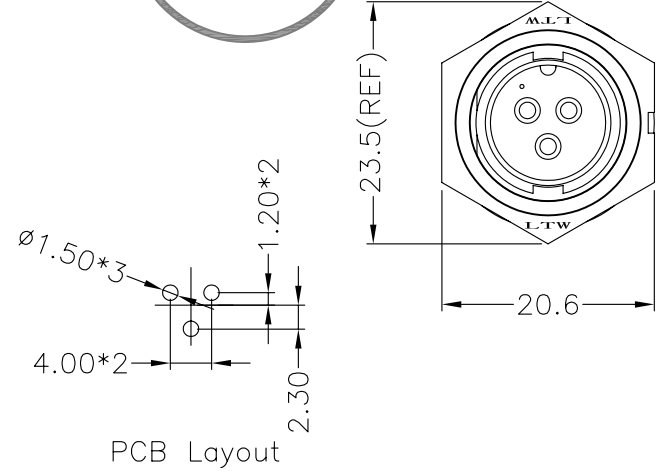


REV. B	ECN NO. LEN-8B0351	DATE 2008/09/17	SIGN Shin	DESCRIPTION Add Note and Update Drawing to New Format
--------	--------------------	-----------------	-----------	---

THIS DOCUMENT IS SUBJECT TO CHANGE WITHOUT NOTICE. IT IS CONFIDENTIAL AND A PROPERTY OF LTW. DISCLOSURE TO THIRD PARTY HAS TO BE AUTHORIZED BY LTW.



- Note:
- * **QC** Important Dimension To Check.
 - * Waterproof Rate: IP67
 - * Housing: Black, Nylon+GF
 - * Male Pin: Copper Alloy, Gold Plated
 - * Nut: Black, Nylon+GF
 - * Gasket: Black, EPDM
 - * Use with Waterproof Cap or Dustcap
Panel Thickness Max: 3.0mm
 - * Use without Waterproof Cap or Dustcap
Panel Thickness Max: 4.5mm

UNIT:mm		TITLE Standard,Panel Lock 3Pin M Conn M Pin		 亮泰企業股份有限公司	ITEM NO LTWBB-03PMMP-LC7001	DRAWN BY Ivan	DATE 2008/10/30
		TOLERANCE .X ±0.25 .XX ±0.1 .XXX ±0.05 ANGLES ±1°	SCALE Free		SHEET 1 OF 1	DWG NO LTWBB-03PMMP-LC7001	CHECKED BY Tommy
REV. B	SIZE A4	QC : Inspection Item		CUSTOMER	APPROVED BY Luke	DATE 2008/10/30	8 QP02C-01-01A2