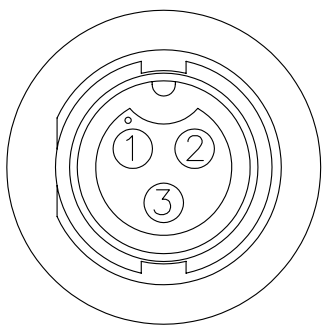
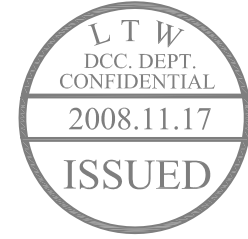
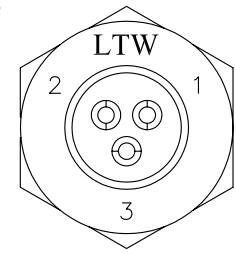
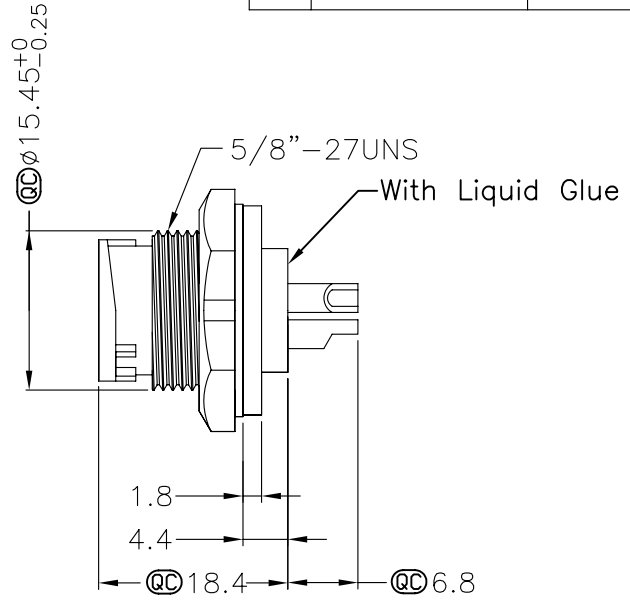
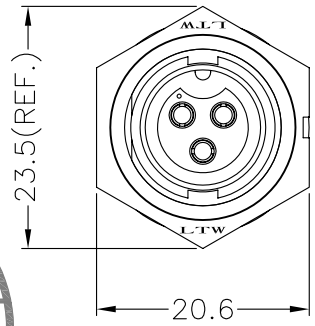
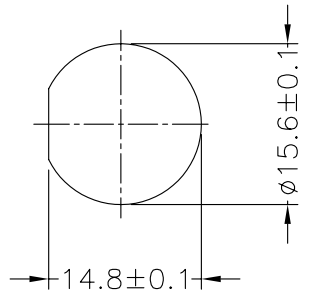


REV. B	ECN NO. LEN-8B0302	DATE 2008/09/17	SIGN Shin	DESCRIPTION Add Note and Update Drawing to New Format
--------	--------------------	-----------------	-----------	---

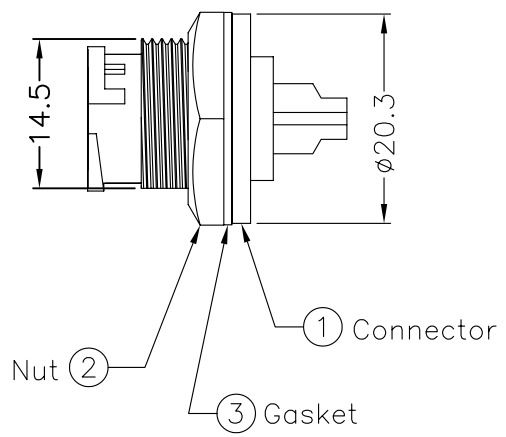
THIS DOCUMENT IS SUBJECT TO CHANGE WITHOUT NOTICE. IT IS CONFIDENTIAL AND A PROPERTY OF LTW. DISCLOSURE TO THIRD PARTY HAS TO BE AUTHORIZED BY LTW.



Pin Assignments Front View



Recommended Panel Cut-Out



- Note:
- \*  $\textcircled{QC}$  Important Dimension To Check.
  - \* Waterproof Rate: IP67
  - \* Housing: Black, Nylon+GF
  - \* Female Pin: Copper Alloy, Gold Plated
  - \* Nut: Black, Nylon+GF
  - \* Gasket: Black, EPDM
  - \* Use with Waterproof Cap or Dustcap  
Panel Thickness Max: 3.0mm
  - \* Use without Waterproof Cap or Dustcap  
Panel Thickness Max: 4.5mm

UNIT:mm		TITLE Standard,Panel Lock 3Pin M Conn F Pin	<b>LTW</b> 亮泰企業股份有限公司	ITEM NO LTWBB-03PMFS-LC7001	DRAWN BY Ivan	DATE 2008/10/30
TOLERANCE .X ±0.25 .XX ±0.1 .XXX ±0.05 ANGLES ±1°	SCALE Free	SHEET 1 OF 1		DWG NO LTWBB-03PMFS-LC7001	CHECKED BY Tommy	DATE 2008/10/30
REV. B	SIZE A4	$\textcircled{QC}$ :Inspection Item		CUSTOMER	APPROVED BY Luke	DATE 2008/10/30