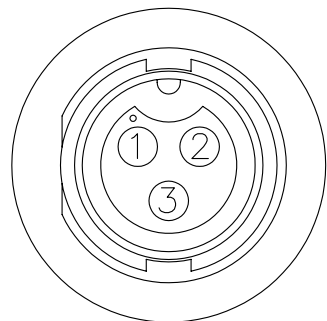
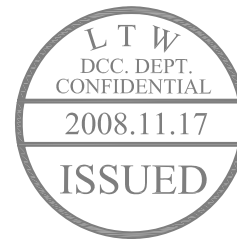
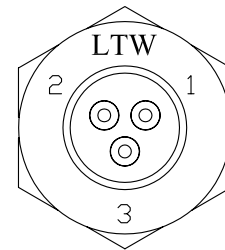
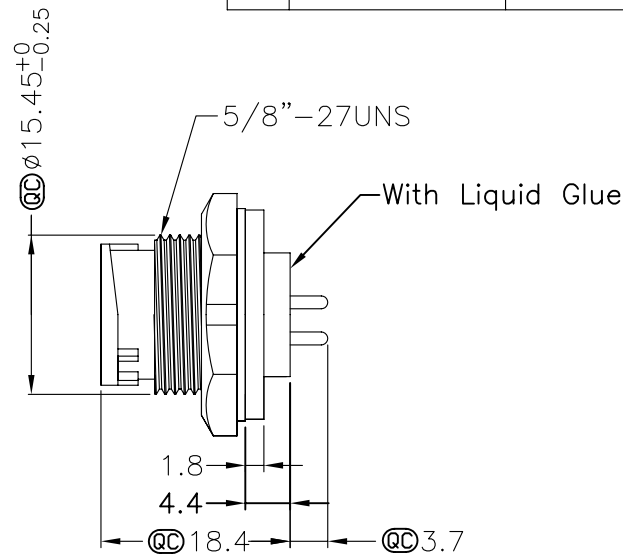
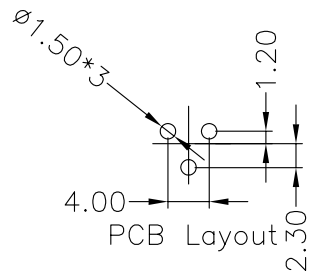
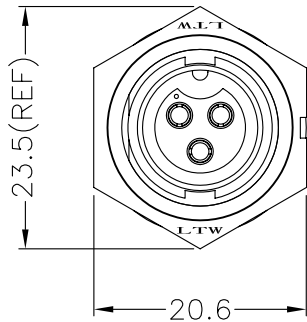
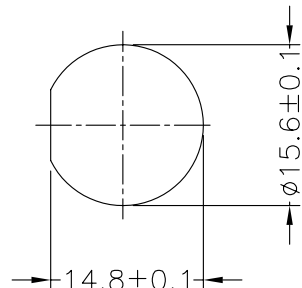


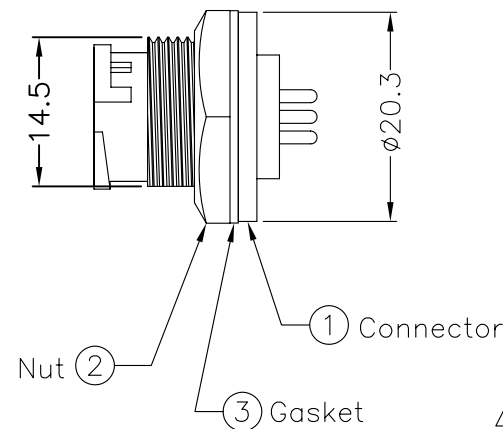
REV. B	ECN NO. LEN-8B0301	DATE 2008/09/17	SIGN Shin	DESCRIPTION Add Note and Update Drawing to New Format
--------	--------------------	-----------------	-----------	-------------------------------------------------------



Pin Assignments  
Front View



Recommended Panel Cut-Out



Note:

- \*  $\textcircled{QC}$  Important Dimension To Check.
- \* Waterproof Rate: IP67
- \* Housing: Black, Nylon+GF
- \* Female Pin: Copper Alloy, Gold Plated
- \* Nut: Black, Nylon+GF
- \* Gasket: Black, EPDM
- \* Use with Waterproof Cap or Dustcap  
Panel Thickness Max: 3.0mm
- \* Use without Waterproof Cap or Dustcap  
Panel Thickness Max: 4.5mm

UNIT:mm	
TOLERANCE	
.X	±0.25
.XX	±0.1
.XXX	±0.05
ANGLES	±1°

TITLE Standard,Panel Lock 3Pin M Conn F Pin	
SCALE Free	SHEET 1 OF 1
REV. B	SIZE A4
$\textcircled{QC}$ :Inspection Item	

**LTW**  
亮泰企業股份有限公司

ITEM NO LTWBB-03PMFP-LC7001
DWG NO LTWBB-03PMFP-LC7001
CUSTOMER

DRAWN BY Ivan
CHECKED BY Tommy
APPROVED BY Luke

DATE 2008/10/30
DATE 2008/10/30
DATE 2008/10/30

THIS DOCUMENT IS SUBJECT TO CHANGE WITHOUT NOTICE. IT IS CONFIDENTIAL AND A PROPERTY OF LTW. DISCLOSURE TO THIRD PARTY HAS TO BE AUTHORIZED BY LTW.