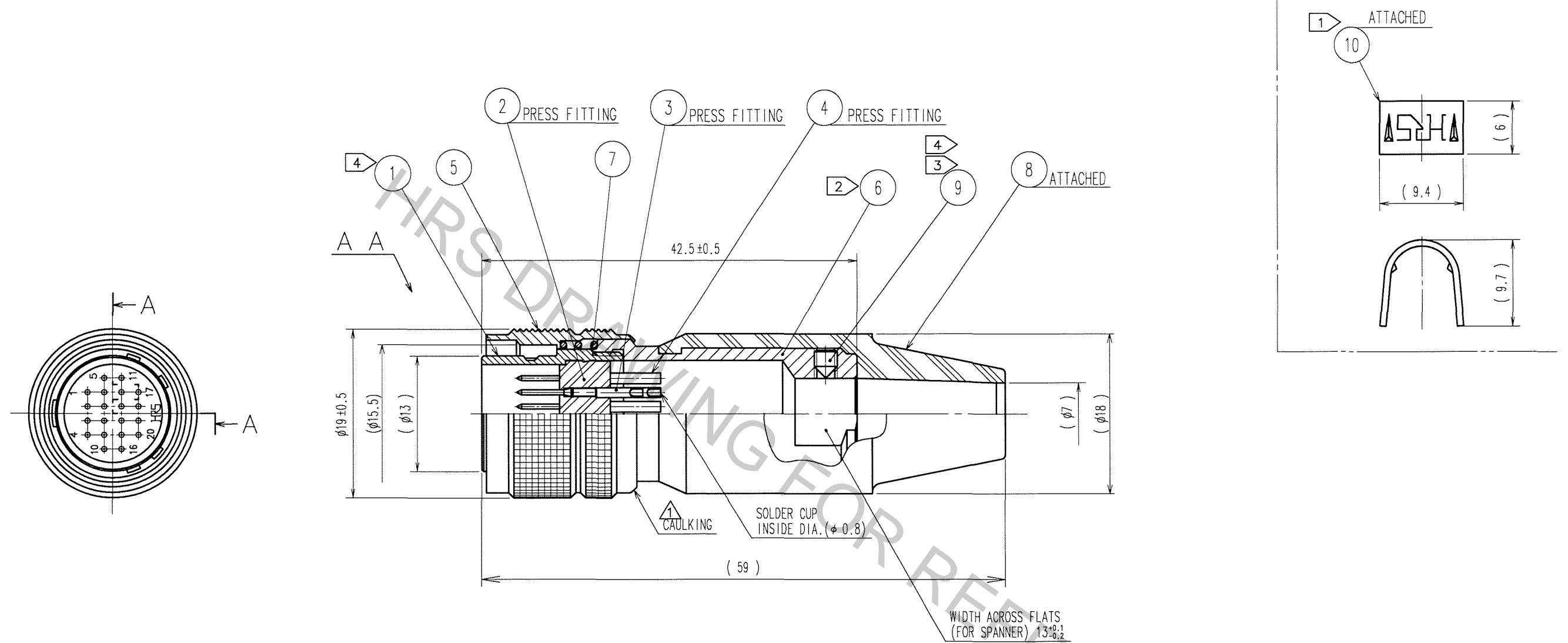


COUNT	DESCRIPTION OF REVISIONS	BY	CHKD	DATE	COUNT	DESCRIPTION OF REVISIONS	BY	CHKD	DATE
1	DIS-C-000409	D.M	M.S	06.12.19					



NOTE: ① HAND CRIMPING TOOL, REF. NO. ⑩ : HR10A-TC-02, (CL150-0041-2)  
 THE HOLE DIAMETER FOR CRIMPING : φ 7.0  
 ② THE RECOMMENDED CLAMP TORQUE, REF. NO. ⑥ : 2-2.5N · m.  
 ③ ACROSS FLATS HEXAGON HEAD OF REF. NO. ⑨ : 1.27  
 THE RECOMMENDED CLAMP TORQUE, REF. NO. ⑨ : 0.3-0.4N · m.  
 REF. NO. ⑨ SHALL BE TIGHTENED WITH ITS TIPS PRESSED INTO THE DIMPLE AREA OF REF. NO. ⑩.  
 ④ LOCTITE 242, HENKEL JAPAN OR EQUIVALENT IS RECOMMENDED TO PREVENT REF. NO. ① AND ⑨ FROM LOOSENING.  
 5 ONE EXAMPLE OF THE ROTATION OF REF. NO. ⑥ TO REF. NO. ① IS SHOWN.

5	BRASS	MATTE FINISH NICKEL PLATED	10	BRASS	
4	BRASS	SILVER PLATING 2μm min.	9	STEEL	NICKEL PLATING JIS B 1177 HEXAGON SOCKET SET SCREW M2.6x0.45x3
3	BRASS		8	CR	(BLACK)
2	POLYAMIDE	(BLACK) UL94V-0	7	STEEL	NICKEL PLATING
1	ZINC ALLOY	MATTE FINISH NICKEL PLATED	6	BRASS	NICKEL PLATING
NO.	MATERIAL	FINISH, REMARKS	NO.	MATERIAL	FINISH, REMARKS

CODE NO. (OLD)	DRAWN	DESIGNED	CHECKED	APPROVED	RELEASED
	D.MATSUNE	D.MATSUNE	E.KUNII	M.SATO	
	'05.10.01	'05.10.01	'05.10.03	'05.10.14	

	DRAWING NO. EDC3-045382-73	PART NO. HR10A-13P-20P(73)
SCALE 2 : 1 UNITS mm	HIROSE ELECTRIC CO., LTD.	CODE NO. CL110-0713-0-73

TO  
R