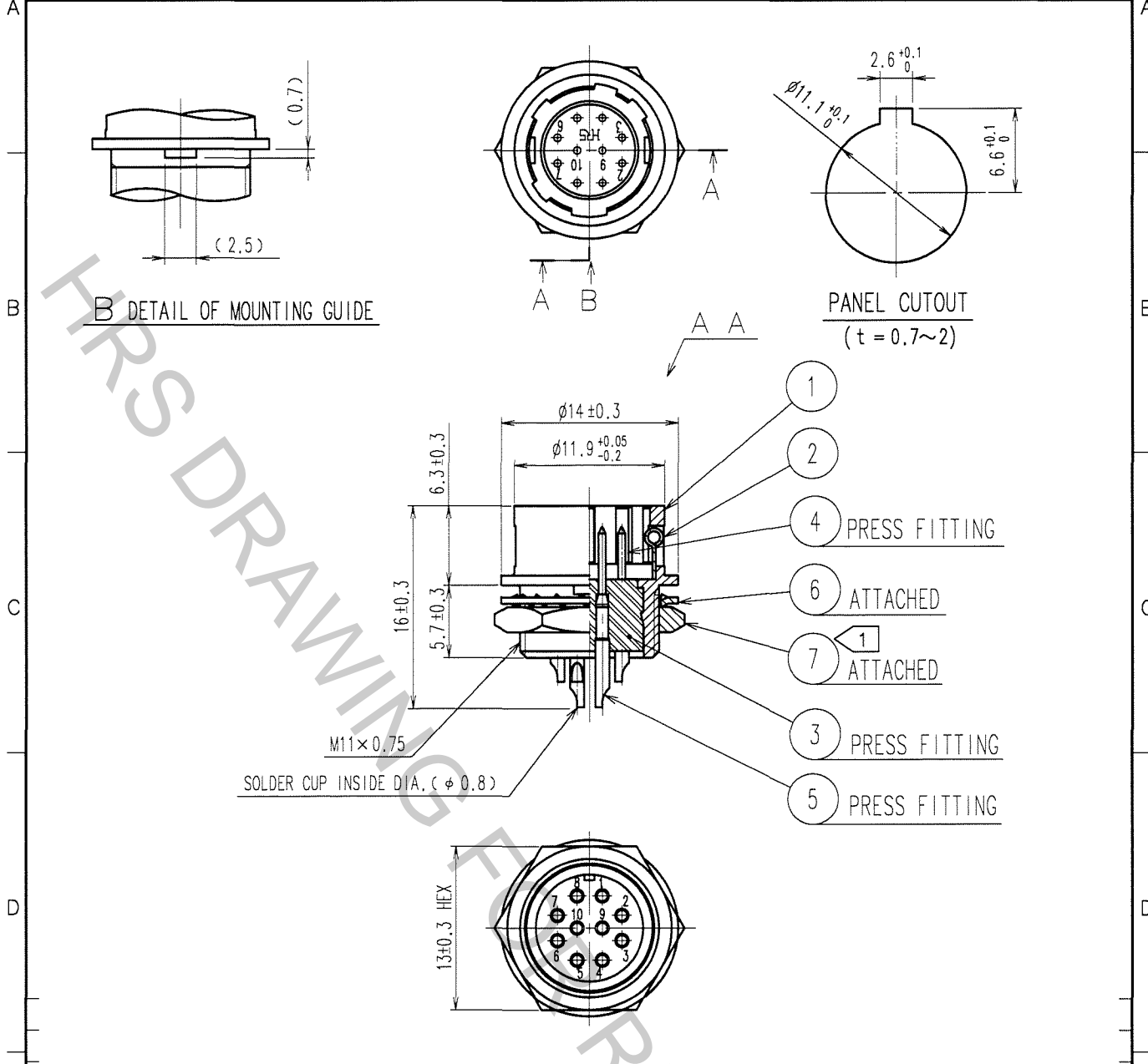


COUNT	DESCRIPTION OF REVISIONS	BY	CHKD	DATE	COUNT	DESCRIPTION OF REVISIONS	BY	CHKD	DATE
1	DIS-C-000585	T.K	E.K	07.07.27					



NOTE ① THE RECOMMENDED CLAMP TORQUE OF REF. NO. ⑦ TO BE 2 N·m.
 LOCTITE 242, HENKEL JAPAN OR EQUIVALENT IS RECOMMENDED TO
 PREVENT REF. NO. ⑦ FROM LOOSENING.

3	POLYAMIDE	(BLACK) UL94V-0	7	BRASS	NICKEL PLATING
2	STAINLESS STEEL		6	PHOSPHOR BRONZE	NICKEL PLATING
1	ZINC ALLOY	MATTE FINISH NICKEL PLATED	5	BRASS	SILVER PLATING 2μm min.
			4	BRASS	

NO.	MATERIAL	FINISH, REMARKS	NO.	MATERIAL	FINISH, REMARKS

CODE NO. (OLD) CL	DRAWN D.MATSUNE '05 10 01	DESIGNED D.MATSUNE '05 10 01	CHECKED E.KUNII '05 10 03	APPROVED M.SATO '05 10 14	RELEASED
DRAWING NO. EDC4-021369-73		PART NO. HR10A-10R-10P(73)			
UNITS mm		CODE NO. CL110-0410-8-73			1/1

TO
R