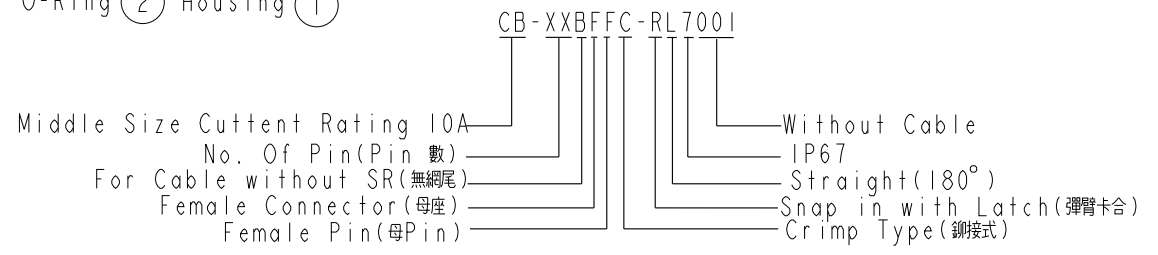
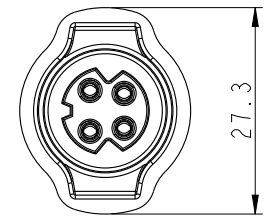
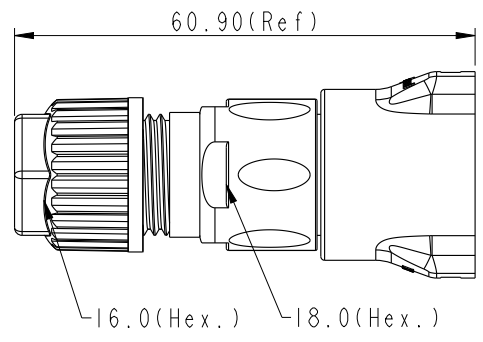
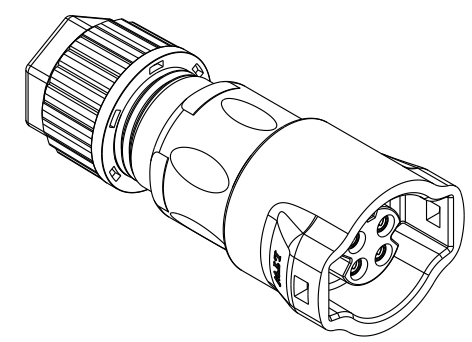
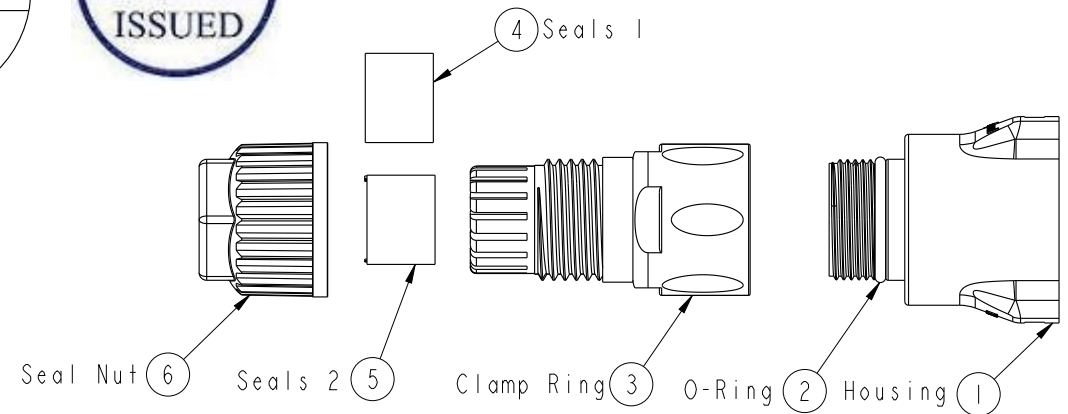


THIS DOCUMENT IS SUBJECT TO CHANGE WITHOUT NOTICE. IT IS CONFIDENTIAL AND A PROPERTY OF AMPHENOL LTW. DISCLOSURE TO THIRD PARTY HAS TO BE AUTHORIZED BY AMPHENOL LTW.

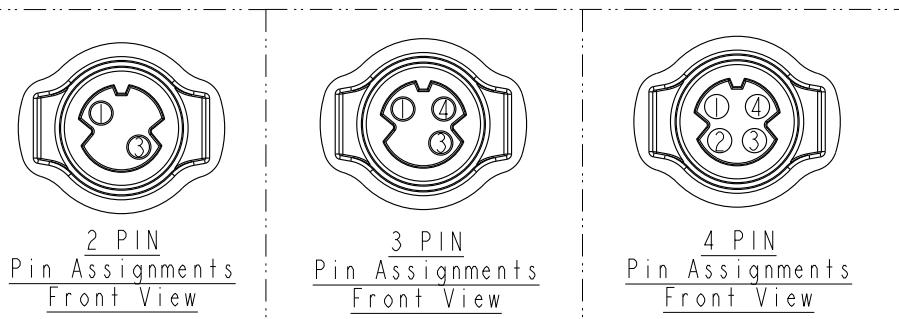
REV.	ECN NO.	DATE	SIGN	DESCRIPTION
A	Initial Release	2015/07/13	Mafei	Change Rev.01 To Rev.A

ALTW
CONFIDENTIAL
2015-07-13
R&D DEPT.

ALTW
DCC. DEPT.
CONFIDENTIAL
2015.08.19
ISSUED



- Note:
- * \varnothing Important Dimension To Check.
 - * Waterproof Rate: IP67 (Mating)
 - * Housing: M-PPE, Black, UL94 V-0, UL746C f1
 - * Conductor Current Rating: Max.10A Depends On Wire
 - * O-Ring: Silicone, Gray, UL94 V-0
 - * Seals: Silicone, Gray, UL94 V-0
 - * Clamp Ring: Nylon, Black, UL94 V-0, UL746C f1
 - * Sealing Nut: Nylon, Black, UL94 V-0, UL746C f1
 - * Seal 1 For Cable OD: \varnothing 4.5mm~ \varnothing 7.5mm
 - * Seal 2 For Cable OD: \varnothing 7.5mm~ \varnothing 9.5mm
 - * Prohibiting the use of place in oils.
 - * Clamp Ring Recommended Tightening Torque: 4~7 Kgf.cm(0.4~0.7 N.m)
 - * Sealing Nut Recommended Tightening Torque: 5~10 Kgf.cm(0.5~1 N.m)



UNIT:mm		TITLE	ASSY RBL 10A F CONN F PIN	
TOLERANCE	±0.5	SCALE	1:1	SIZE A4
REV.	A	WC-REV.	A.2	SHEET 1 OF 2
		QC: Inspection item		

Amphenol LTW
安費諾亮泰企業股份有限公司

ITEM NO	CB-XXBFFC-RL7001	DRAWN BY	Mafei	DATE	2015-07-13
DWG NO	CB-XXBFFC-RL7001	CHECKED BY	Alex_Lin	DATE	2015-07-13
CUSTOMER	ALTW	APPROVED BY	Jerry	DATE	2015-07-13

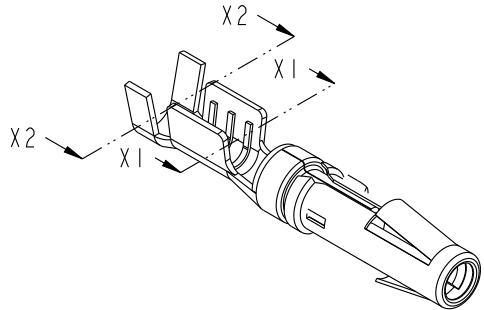
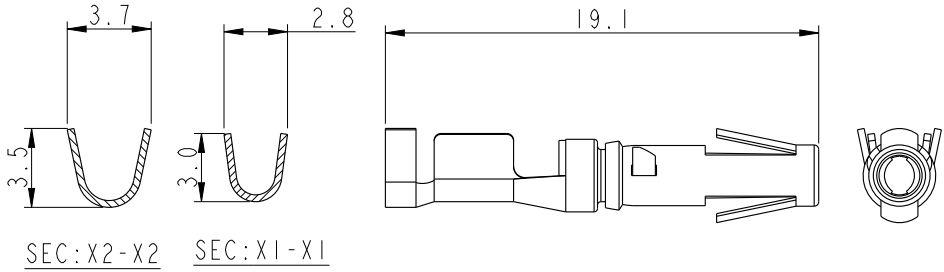
THIS DOCUMENT IS SUBJECT TO CHANGE WITHOUT NOTICE. IT IS CONFIDENTIAL AND A PROPERTY OF AMPHENOL LTW. DISCLOSURE TO THIRD PARTY HAS TO BE AUTHORIZED BY AMPHENOL LTW.

REV.	ECN NO.	DATE	SIGN	DESCRIPTION

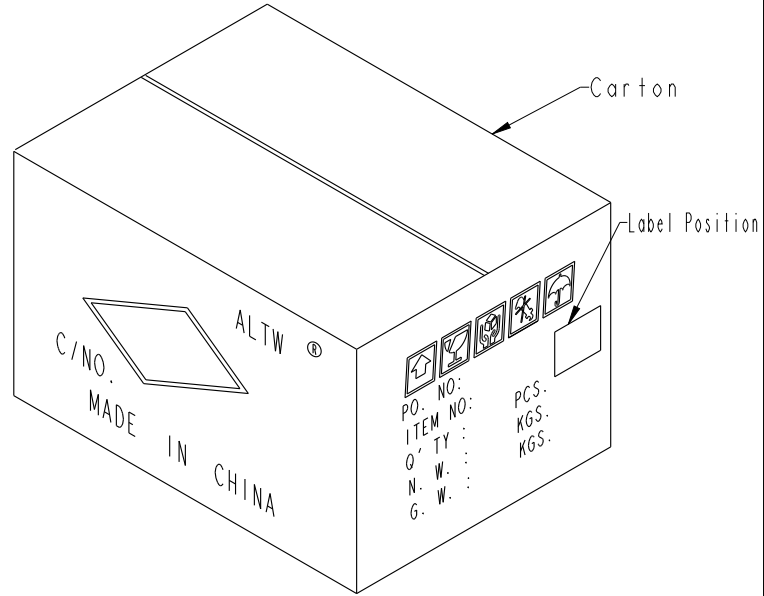
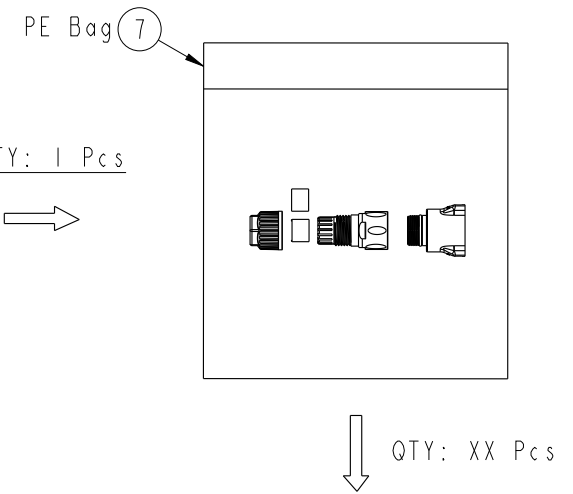
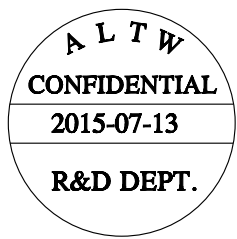
Optional Part: Terminal
P/N: SAF16B-XXG03

- 01: 2000Pcs/Reel
- 02: 500 Pcs Loose
- 03: 100 Pcs Loose

Contact Material: Copper Alloy, Gold Plated
Current Rating: 10A.
Wire Range: 16#~18#



Note:
* One Set Unassembled In One PE Bag.
(每一組未組裝, 放置於一個PE袋, 並封口)



UNIT: mm			TITLE ASSY RBL 10A F CONN F PIN
TOLERANCE .X ±0.25 .XX ±0.1 .XXX ±0.05 ANGLES ±1°	SCALE 1:1	SIZE A4	SHEET 2 OF 2
REV. A	WC-REV. A.2	QC: Inspection item	

Amphenol LTW
安費諾亮泰企業股份有限公司

ITEM NO.	DRAWN BY Mafei	DATE 2015/07/13
DWG NO. CB-XXBFFC-RL7001	CHECKED BY Alex_Lin	DATE 2015/07/13
CUSTOMER ALTW	APPROVED BY Jerry	DATE 2015/07/13