

THIS DRAWING AND DESIGN HEREON CONSTITUTES A PROPRIETARY DESIGN OF PACKARD ELECTRIC DIVISION AND IS NOT TO BE REPRODUCED OR TRANSMITTED IN ANY FORM OR BY ANY MEANS, WITHOUT THE WRITTEN AUTHORITY OF PACKARD ELECTRIC DIVISION
DO NOT SCALE

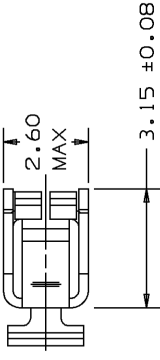
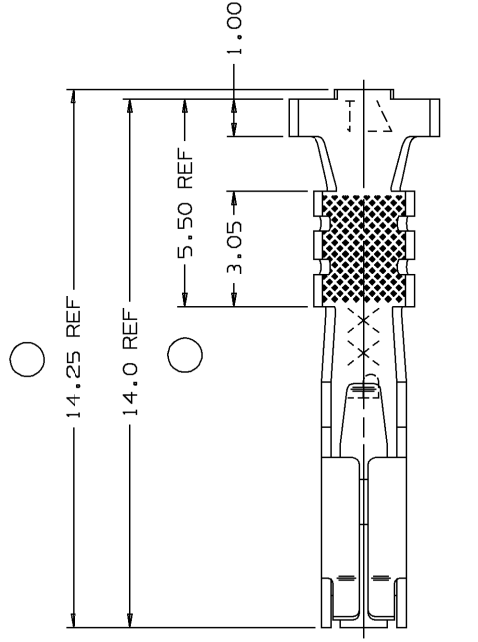
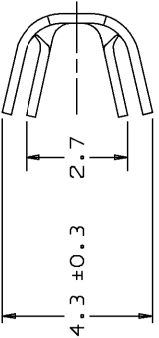
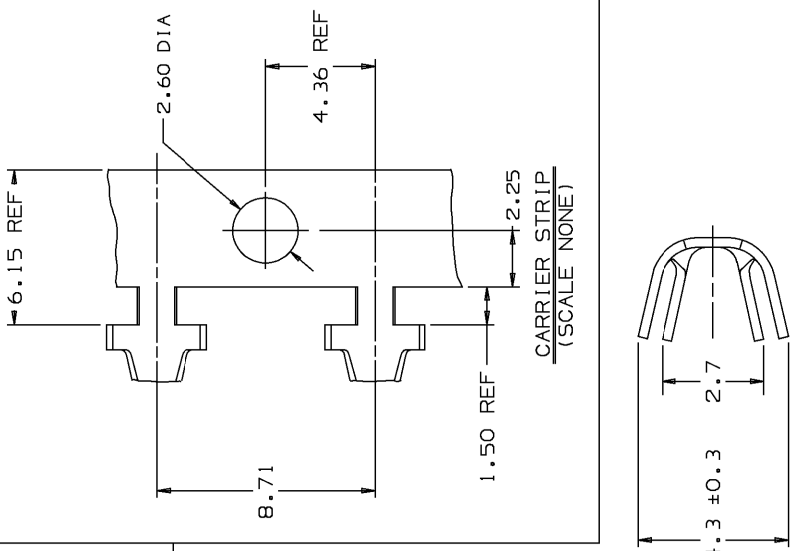
1210 3881
PART NO

DATE	SYM	REVISION RECORD	AUTH	DR	CK
24SE92	---	REDRAWN AND UPDATED TO LATEST STANDARDS			
		REV LEVEL REMAINS			
		AT "A"			
24FE93	---	REDRAWN TO "C" SIZE	920007	JK	JC
		REV LEVEL REMAINS			
		AT "A"			
05AU94	---	ADDED 4.3+0.3 DIM	154464	DE	DE
		NO REV UPDATE			
09NO94	---	DRAWING REVISED PER CUSTOMER REQUEST	161276	TW	TW
		REV LEVEL REMAINS			
		AT "A"			
25MR96	B	REVISED	164566	JVM	MJP
21JN96	---	REVISED - REV LEVEL REMAINS AT "B"	171061	LJS	LJS
			173815	MFG	RPC

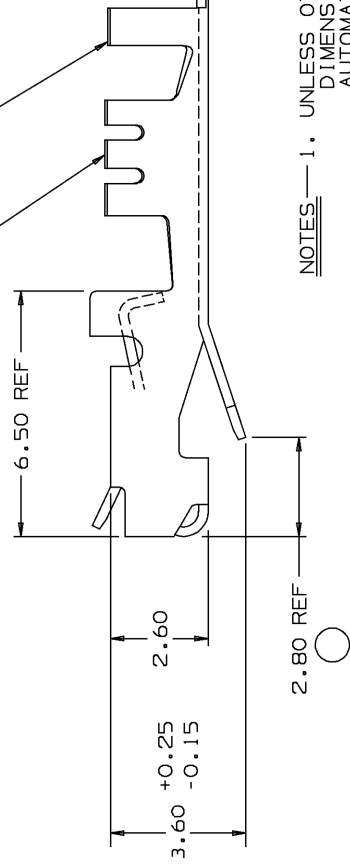
PART NO
1210 3881

PACKARD ELECTRIC DIVISION
GENERAL MOTORS CORPORATION
WARREN, OHIO

197A



CONDUCTOR WINGS FOR 1.0-0.8 MM² CABLE
INSULATION WINGS FOR 2.40 MM MAX. INSULATION DIAMETER



- NOTES — 1. UNLESS OTHERWISE SPECIFIED AND/OR INDICATED: DIMENSIONS ARE TO FACE OF VIEW SHOWN AND AUTOMATICALLY ROUNDED BY COMPUTER FOR INSPECTION. (SEE MATH MODEL FOR PRECISE DIMENSION)
2. DIMENSIONS MARKED "REF" ARE FOR REFERENCE ONLY AND NO TOLERANCE LIMITS ARE ESTABLISHED.
3. ENGAGE : 3-10N
DISENGAGE : 1.5-8N
4. REFERENCE PACKARD GAGE # G-8261

THIRD ANGLE PROJECTION

QC
6900
6901

DWG DATE 22MY91

SCALE NONE

REFERENCE NO SHT #1
12020717 "AO" SIZE

MATERIAL SPEC
0.254 THK SILICON BRONZE - TIN PLATED

NAME
TERM F M/P 150 SER P25

METRIC
DIMENSIONS ARE IN MILLIMETERS UNLESS OTHERWISE SPECIFIED
TOLERANCE UNLESS OTHERWISE SPECIFIED:
DECIMAL ANGULAR ± .30

ONE PLACE ± 0.2
TWO PLACE ± 0.10

DES HENRY HOKE 22MY91
DR HENRY HOKE 22MY91
CK DAVID BECK 06JN91
APP'R

VOL CM³

PART NUMBER
1210 3881

SIZE
A2

OUTLINE DRAWING