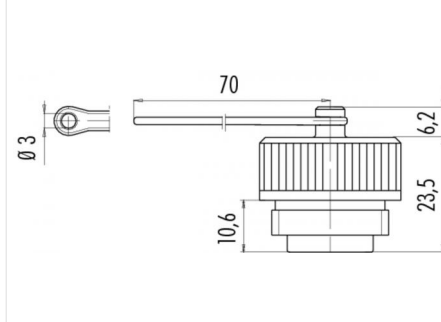


Product **692/693: Protection cap for female panel mount connector, IP67**  
 Article number **08 2302 000 000**

## Illustration



## Scale drawing



## Matching products

- Female socket 3+PE, screw termination
- Female socket 3+PE, screw termination, VDE, SEV, UL approval
- Female panel mount connector, 6+PE, solder connection
- Female panel mount connector, 6+PE, solder connection, VDE, UL and ETS approval
- Female socket 6+PE, screw termination
- Female socket 6+PE, screw termination, VDE, SEV, UL approval
- Female panel mount connector, 6+PE, CRIMP connection
- Female panel mount connector, 6+PE, CRIMP connection, VDE, UL and ETS approval
- Female socket 6+PE, screw termination, VDE, SEV, UL approval
- Female socket 3+PE, screw termination, VDE, SEV, UL approval