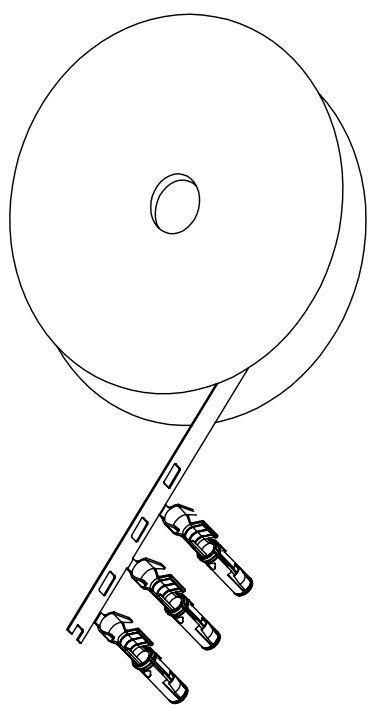
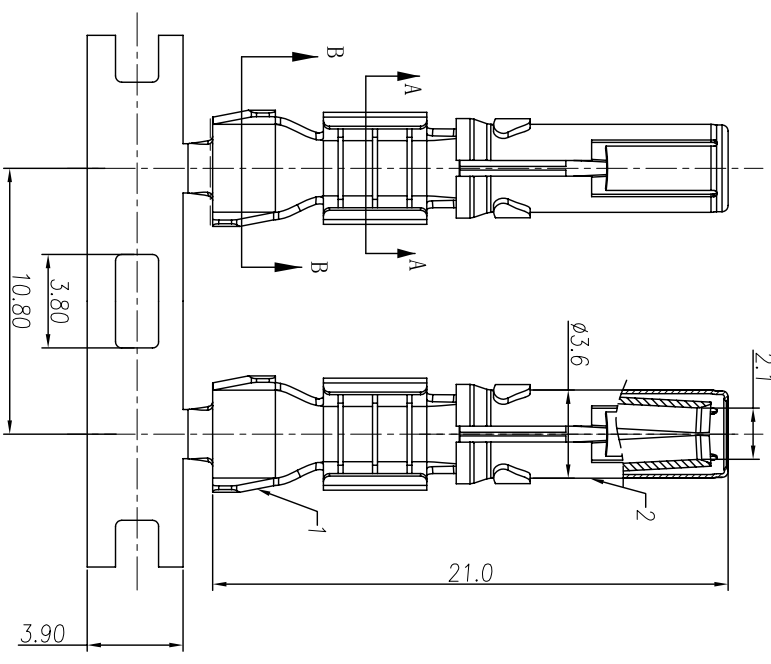
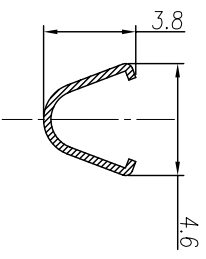
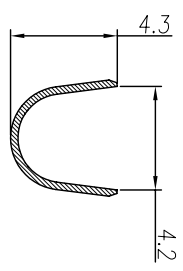


REV ZONE		ECO		DESCRIPTION		DATE		BY		APPR	
01	--	--	--	RELEASE NUMBER		15-JAN-10	--	--	--	--	--

REV ZONE		ECO		DESCRIPTION		DATE		BY		APPR	
01	--	--	--	RELEASE NUMBER		15-JAN-10	--	--	--	--	--



Contact Orientation On Reel
For Auto Crimp Machine



- General specification:
- Suitable pin diameter: 2.5mm
 - Current rating: 23A
 - Termination type: crimp
 - Crimp wire range: 2.5mm2-3.0mm2
 - Plating Specification: See Below
 - When XX=F Tin over Nickel
 - When XX=G Gold flash plate overall.
 - When XX=G10 Contact plating 10u"Gold.
 - When XX=G30 Contact plating 30u"Gold.
 - Material Specification: See Below
 - Contact Body: Copper Alloy
 - Outer Spring: Stainless Steel

UNLESS OTHERWISE SPECIFIED
1) All dimensions are in metric(mm).
2) Tolerances are as follows:

- Pl. DEC ± 0.30
- Pl. DEC ± 0.15
- Pl. DEC ± 0.10

Fractions $\pm 1/64$
Angles $\pm 1^\circ$

MATERIAL SPECIFICATIONS:

PROCESS SPECIFICATIONS:

THIS DRAWING IS SUPPLIED FOR INFORMATION ONLY. DESIGN FEATURES, SPECIFICATIONS AND PERFORMANCE DATA SHOWN HEREON ARE THE PROPERTY OF THE APPLICANT. NO RIGHTS OF REPRODUCTION ARE IMPLIED. ALL DIMENSIONS ARE SUBJECT TO NORMAL MANUFACTURING VARIATIONS.

SINE Systems Corporation
A Subsidiary of Amphenol Corporation

SOCKET CONTACT STAMPED, CRIMP 2.5-3mm2, 2.5MM

DWG NO.: SS12AH-XX

第三角投影 THIRD ANGLE PROJECTION	文件编号 FILE NO.	幅面 SIZE	版次 REV.	比例 SCALE
			A4 MASS 01	

制图 DRAWN	日期 DATE	审核 CHECKED	日期 DATE	工艺 ENGINEER	批准 APPROVAL
TOM	10-JAN-10	ROGER	15-JAN-10	ENGINEER	FOUNT
		DENR	15-JAN-10		

SHEET SHT OF SHTS NEXT ASSY: M1.2557