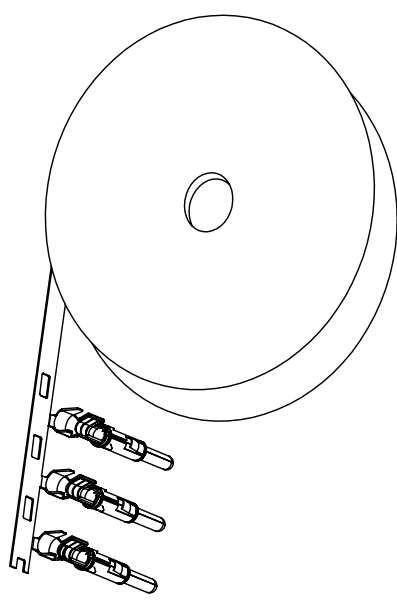
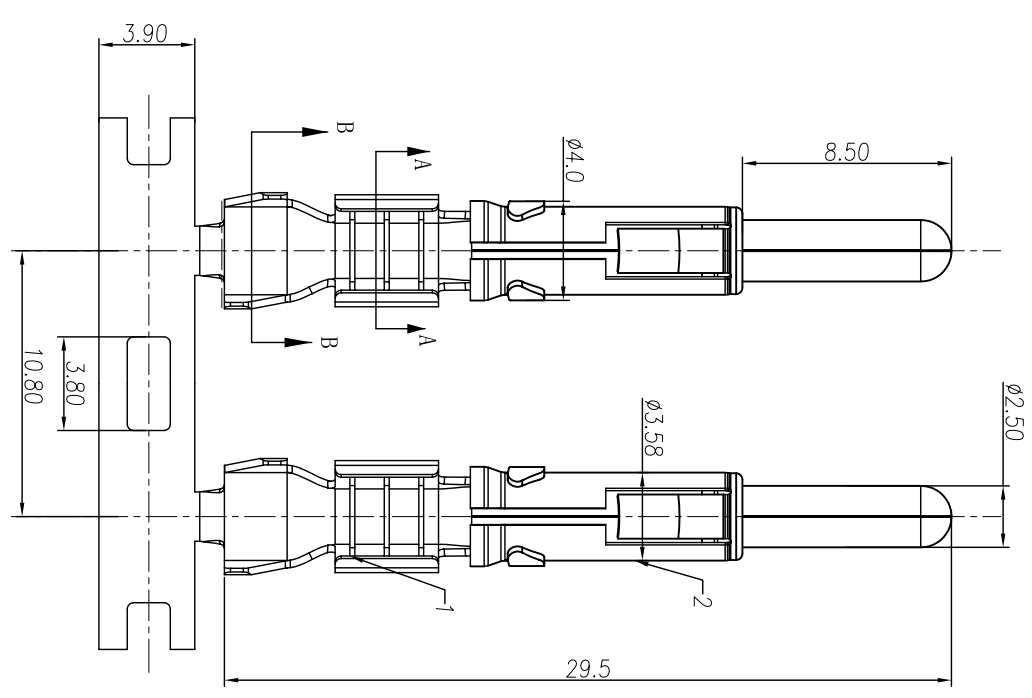
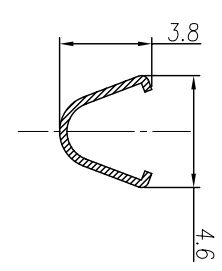
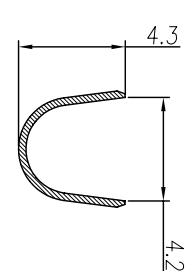


REV ZONE		ECO		DESCRIPTION		DATE		BY		APPR	
01	--	--	--	RELEASE NUMBER		15-JAN-10	--	--	--	--	--

REV ZONE		ECO		DESCRIPTION		DATE		BY		APPR	
01	--	--	--	RELEASE NUMBER		15-JAN-10	--	--	--	--	--



Contact Orientation On Reel
For Auto Crimp Machine



- General specification:
- Suitable pin diameter: 2.5mm
 - Current rating: 23A
 - Termination type: crimp
 - Crimp wire range: 2.5mm²-3.0mm²
 - Plating Specification: See Below
 - When XX=F Tin over Nickel
 - When XX=G Gold flash plate overall.
 - When XX=G10 Contact plating 10u" Gold.
 - When XX=G30 Contact plating 30u" Gold.
 - Material Specification: See Below
 - Contact Body: Copper Alloy
 - Outer Spring: Stainless Steel

UNLESS OTHERWISE SPECIFIED
1) All dimensions are in metric(mm).
2) Tolerances are as follows:
1 Pl. DEC ± 0.30
2 Pl. DEC ± 0.15
3 Pl. DEC ± 0.10

Fractions $\pm 1/64$
Angles $\pm 1^\circ$

UNLESS OTHERWISE SPECIFIED	UNLESS OTHERWISE SPECIFIED
1) All dimensions are in metric(mm).	1) All dimensions are in metric(mm).
2) Tolerances are as follows:	2) Tolerances are as follows:
1 Pl. DEC ± 0.30	1 Pl. DEC ± 0.30
2 Pl. DEC ± 0.15	2 Pl. DEC ± 0.15
3 Pl. DEC ± 0.10	3 Pl. DEC ± 0.10

MATERIAL SPECIFICATIONS:

PROCESS SPECIFICATIONS:

SINE Systems Corporation
A Subsidiary of Amphenol Corporation

PIN CONTACT STAMPED, CRIMP 2.5-3mm², 2.5MM

DWG NO.: SP12A1-XX

第三角投影 THIRD ANGLE PROJECTION	文件编号 FILE NO.	幅面 SIZE	版次 REV.	比例 SCALE
	SP12A1-XX	A4	01	SOLEN

SHEET OF SHEETS: 1 OF 1

制图 DRAWN	TOM	日期 DATE	10-JAN-10
审核 CHECKED	ROTH	15-JAN-10	
工艺 ENGINEER	ENGINEER	DENR	
批准 APPROVAL	FOUNT	15-JAN-10	
客户 CUSTOMER	CUSTOMER		

THIS DRAWING IS SUPPLIED FOR INFORMATION ONLY. DESIGN FEATURES, SPECIFICATIONS AND PERFORMANCE DATA SHOWN HEREON ARE THE PROPERTY OF THE APPLICABLE CORPORATION. NO RIGHTS OF REPRODUCTION ARE IMPLIED. ALL DIMENSIONS ARE SUBJECT TO NORMAL MANUFACTURING VARIATIONS.

SHEET OF SHEETS: 1 OF 1

A
B
C
D
E
F

1
2
3
4
5
6
7
8