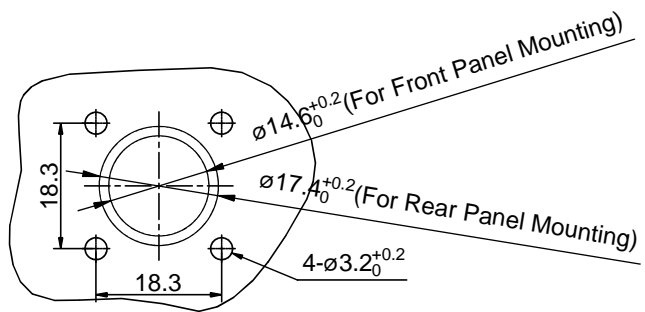
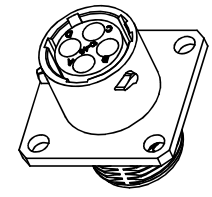
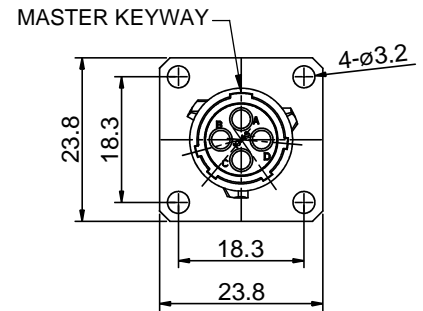
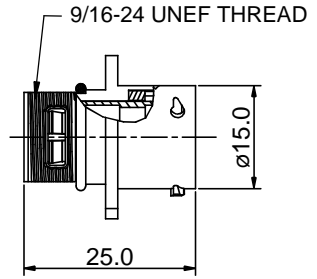


REVISIONS					
REV	ECO	DESCRIPTION	DATE	BY	APPR
B1	-	RELEASED DRAWING	JUN-30-2014	BEN	TOMMY



KEY POS	PART NUMBER
N	RT00104SNH
W	RT00104SWH
X	RT00104SXH
Y	RT00104SYH
Z	RT00104SZH

- NOTES : (UNLESS OTHERWISE SPECIFIED)**
- MATERIAL :**  
SHELL : ZINC ALLOY , NICKEL PLATED.  
INSERT : THERMOPLASTIC , UL94 V-0.  
SEAL GASKET : NBR.  
O-RING : NBR.
  - SPECIFICATIONS :**
    - RATED CURRENT : 13A (MAX).**
    - RATED VOLTAGE : 300V (AC/DC).**
    - OPERATING TEMPERATURE : -40°C ~ +105°C.**
    - DIELECTRIC WITHSTANDING VOLTAGE : LESS THAN 2 MILLIAMPS CURRENT LEAKAGE@2000 VOLTS AC.**
    - INSULATION RESISTANCE : 5000 MEGOHMS MIN.**
    - IP--CLASS : IP67.**
    - MATING CYCLES DURABILITY : 500 CYCLES MIN.**
    - ROHS COMPLIANT.**
  - SUITABLE CONTACTS : 16# CONTACTS.**
  - ALL DIMENSIONS ARE FOR REFERENCE USE ONLY.**

PANEL CUT OUT REFERENCE

QUANTITY	SEE PART NUMBER CHART	DESCRIPTION	ITEM
<b>MATERIALS LIST</b>			
<small>UNLESS OTHERWISE SPECIFIED</small> 1) All dimensions are in metric(mm). 2) Tolerances are as follows: 1 PL DEC ±0.30    Fractions ±1/64 2 PL DEC ±0.15    Angles ±1° 3 PL DEC ±0.08 3) Note reference =		<b>SIGNATURES</b> DRAWN: BEN CHECKED: ENGINEER: APPROVAL:	<b>DATE</b> JUN-30-2014
<b>MATERIAL SPECIFICATIONS:</b> THIS DRAWING IS SUPPLIED FOR INFORMATION ONLY. DESIGN FEATURES, SPECIFICATIONS AND PERFORMANCE DATA SHOWN HEREON ARE THE PROPERTY OF THE AMPHENOL CORPORATION. NO RIGHTS OF REPRODUCTION ARE IMPLIED. ALL DIMENSIONS ARE SUBJECT TO NORMAL MANUFACTURING VARIATIONS.		 Sine Systems - www.amphenol-sine.com 44724 Morley Drive Clinton Township, MI 48036	
<b>PROCESS SPECIFICATIONS:</b>		<b>SIZE</b> B C-	<b>DWG NO.</b> RT00104S*H
<b>NEXT ASSY:</b>		<b>SCALE</b> NONE	<b>REVISION</b> B1
			SHEET 1 OF 1

TITLE: ECO-MATE RECEPTACLE SIZE 10,4 POS SOCKET  
 DWG NO: RT00104S\*H  
 REV: B1  
 SH: 1  
 OF: 1