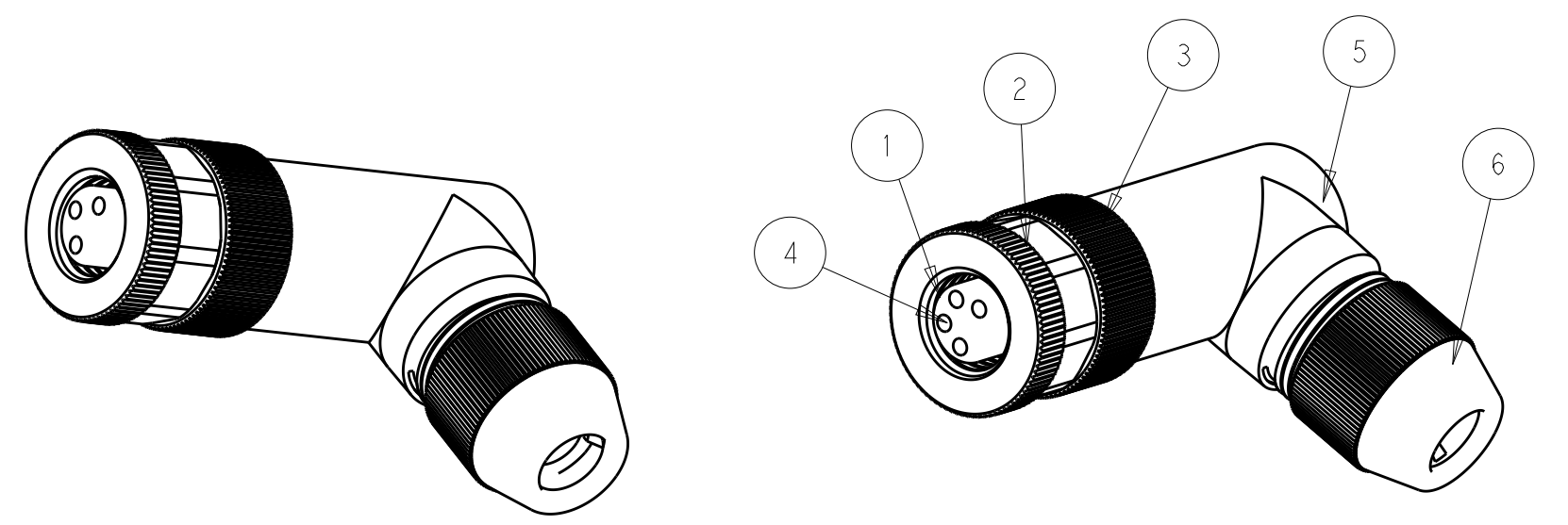
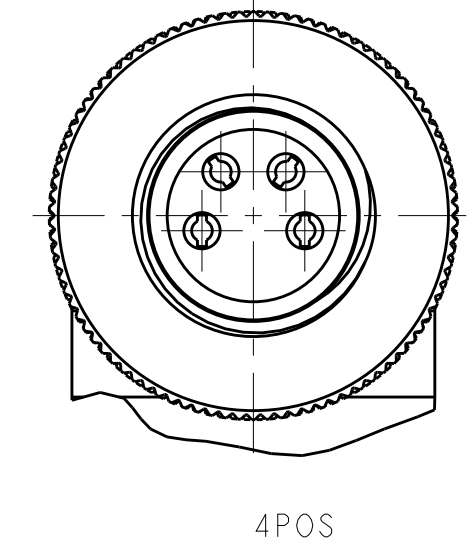
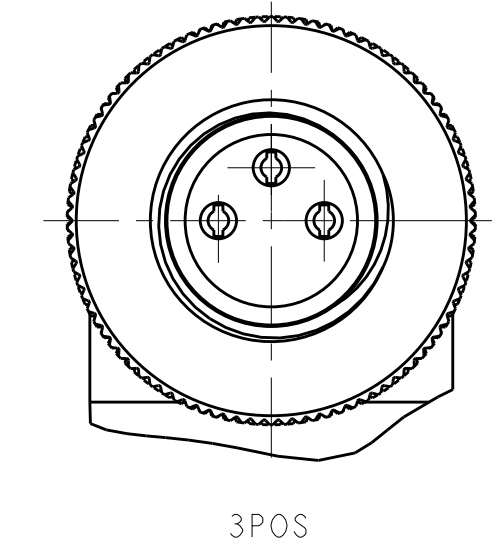
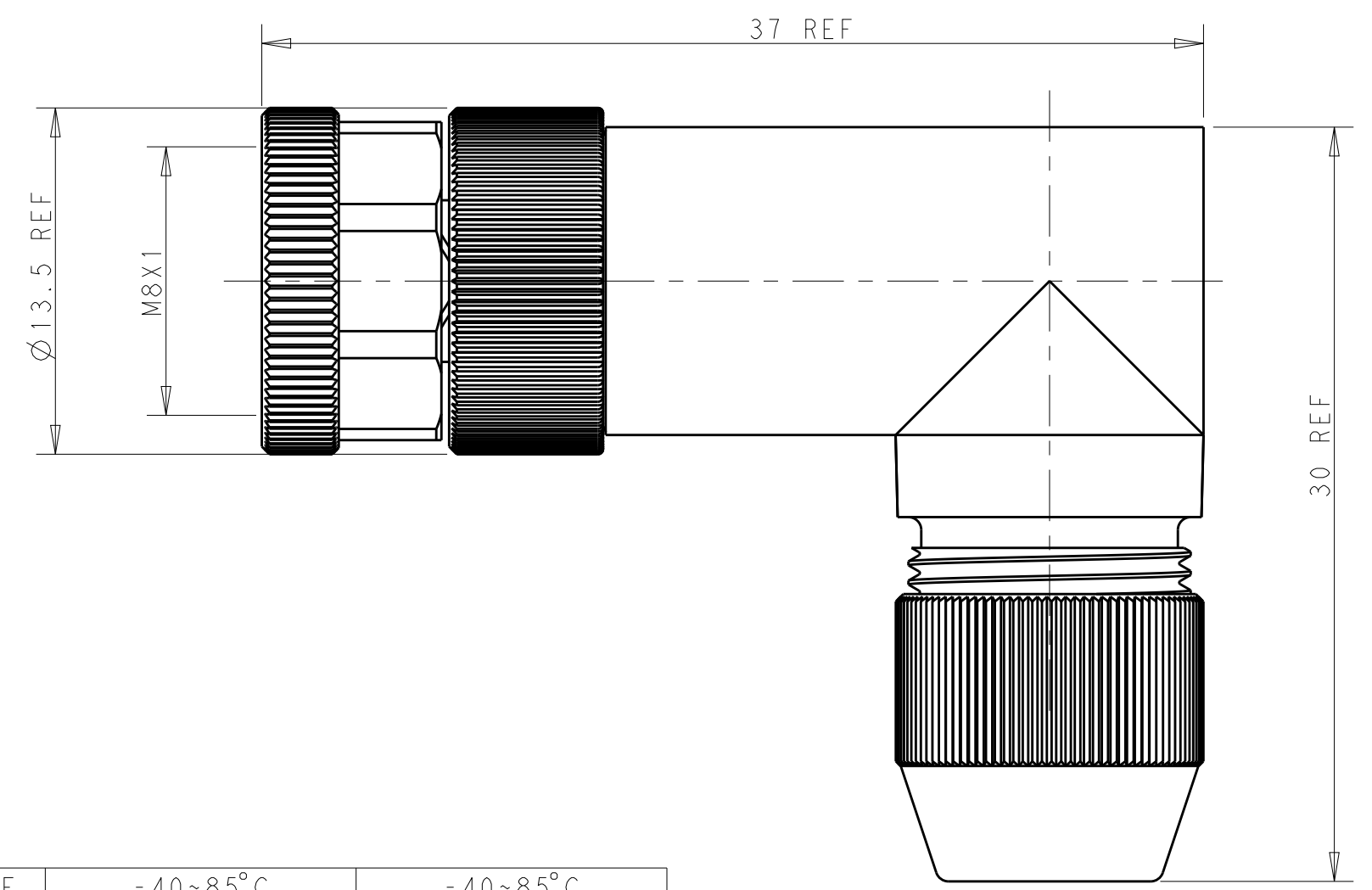


THIS DRAWING IS UNPUBLISHED. RELEASED FOR PUBLICATION 20  
 © COPYRIGHT 20 BY - ALL RIGHTS RESERVED.

REVISIONS				
P	LTR	DESCRIPTION	DATE	APVD
A		INITIAL RELEASED	11APR2016	L.Z X.X
B		EC-16-011351 NEW REVISE	01JUL2016	L.Z X.X
B1		REVISED PER ECR-16-012993	19SEP2016	L.Z X.X



OPERATION TEMPERATURE	-40~85°C	-40~85°C
DEGREE OF PROTECTION	IP67	IP67
INSULATION RESISTANCE	>100MΩ	>100MΩ
RATED IMPULSE VOLTAGE	800V	1500V
MATERIAL GROUP	II	II
OVERVOLTAGE CATEGOYR	II	II
POLLUTION DEGREE	3	3
RATED CURRENT	3A	3A
RATED VOLTAGE	30V	60V
TECHNICAL DATA	T401201904X-000	T401201903X-000

NOTES;  
 1.PARTS MATERIAL DATA:SEE TABLE  
 2.CONTACT FINISH:  
 GOLD OVER NICKEL OR SILVER OVER NICKEL  
 3.CABLE WIRES:  
 26AWG/0.14mm<sup>2</sup> Max & 24AWG/0.25mm<sup>2</sup> Max  
 4.ALL DIMENSIONS ARE FOR NOMINAL REFERENCE ONLY UNLESS OTHERWISE STATE  
 5.PACKAGIN: 1 PIECE IN A BAG  
 6.PN INFORMATION FOR ASSEMBLY PARTS  
 T401201XXXX-000

注意事项;  
 1. 零件材料参见附表  
 2. 表面处理: 镀金或镀银  
 3. 适用线材: 26AWG/0.14mm<sup>2</sup> Max & 24AWG/0.25mm<sup>2</sup> Max  
 4. 所有尺寸标注为基本参考, 除非其它说明  
 5. 包装: 每BAG装1PC  
 6. 料号数字代码参考上表

CONTACT FINISH:  
 1:GOLD OVER NICKEL  
 2:SILVER OVER NICKEL  
 NUMBERS OFPINS:  
 03: 3 PINS  
 04: 4 PINS  
 ...  
 CABLE OUTLET:  
 8:PLASTIC(CABLE FEED: 3.5~4.8mm)  
 9:METAL(CABLE FEED: 3.5~5.0mm)  
 ...

<del>T4012019042-000</del>	<del>RPC-M8-FR-4CON-PG7-SH</del>	<del>OBSOLETE</del>
T4012019041-000	RPC-M8-FR-4CON-PG7-SHU	
<del>T4012019032-000</del>	<del>RPC-M8-FR-3CON-PG7-SH</del>	<del>OBSOLETE</del>
T4012019031-000	RPC-M8-FR-3CON-PG7-SHU	
TE PN	TYPE	

COMMENT	MATERIAL	DESCRIPTION	ITEM	OBSOLETE	OBSOLETE
	NICKEL	BRASS	PRESS SCREW	6	1
	NICKEL	BRASS	RIGHT ANGLE METAL HOUSING	5	1
	SILVER 80U"	BRASS	M8 SCTREW ASSY REC TERMINAL	4	3
	GOLD 3U"			4	3
	NICKEL 80U"	BRASS	M8 SCREW ASSY OUT SCREW	3	1
	NICKEL 80U"	BRASS	M8,FEMALE INSERT NUT	2	1
	BLACK	PA	M8,FEMALE HSG,A CODE, 4PIN	1	-
			M8,FEMALE HSG,A CODE, 3PIN	-	1
				4	4
				0	0
				0	0
				1	1
				2	2
				0	0
				0	0
				4	4
				2	2
				0	0
				0	0
				0	0
				0	0
				0	0
				0	0

THIS DRAWING IS A CONTROLLED DOCUMENT.		DWN LEAR ZHANG 11APR2016	TE Connectivity
DIMENSIONS: mm		CHK KOBBY ZHAO 11APR2016	
TOLERANCES UNLESS OTHERWISE SPECIFIED: 0 PLC ±- 1 PLC ±0.20 2 PLC ±0.20 3 PLC ±0.20 4 PLC ±- ANGLES ±- FINISH -		APVD XU XIANG 11APR2016	
MATERIAL -		PRODUCT SPEC 108-106140	NAME M8 FEMALE SCREW ASSY RIGHT ANGLE SHIELDING CONNECTOR
		APPLICATION SPEC 114-137144-1	SIZE A2
		WEIGHT -	CAGE CODE -
		CUSTOMER DRAWING	DRAWING NO. T40120190XX000
		SCALE 2:1	RESTRICTED TO -
		SHEET 1 OF 1	REV B1