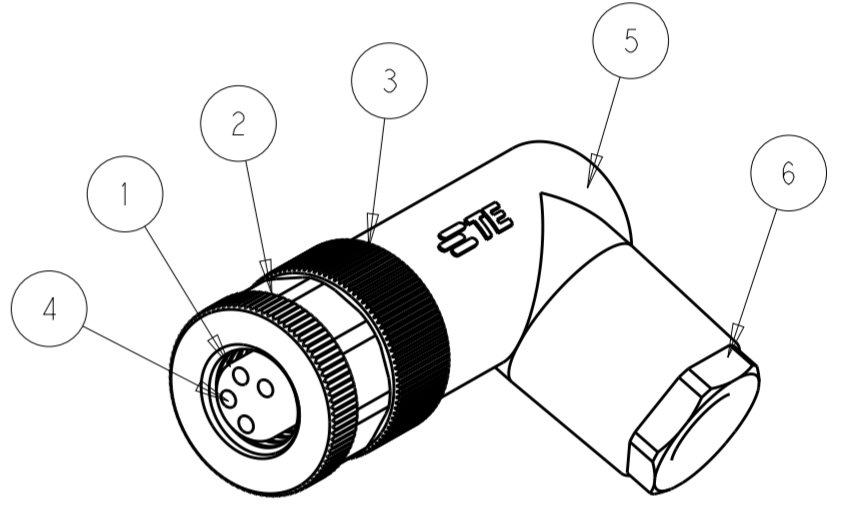
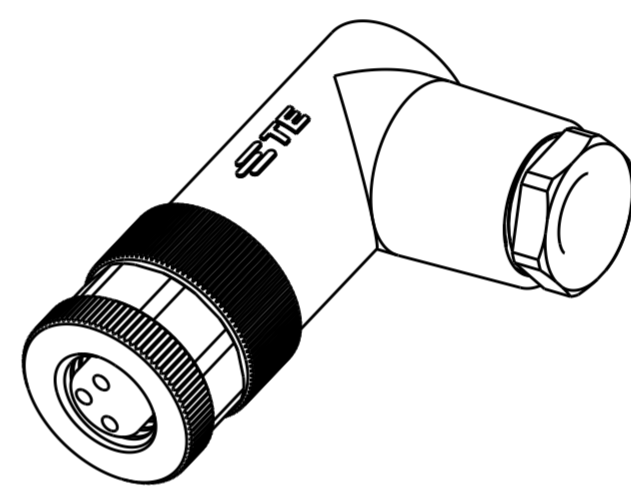
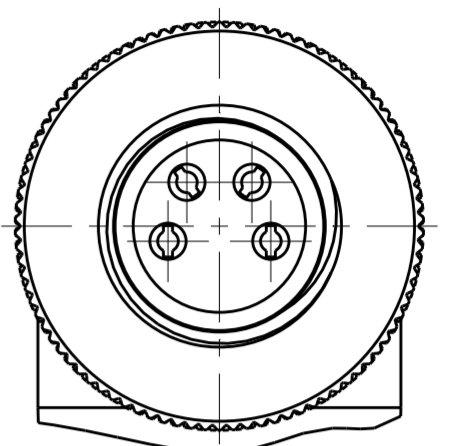
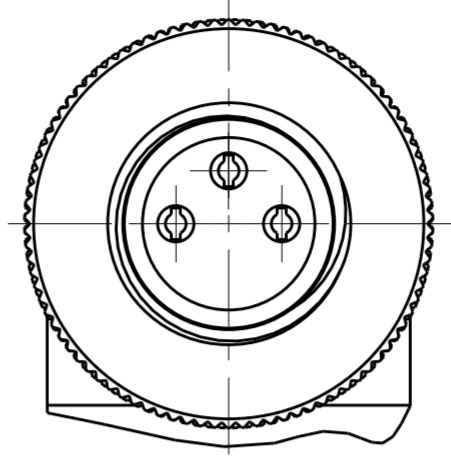
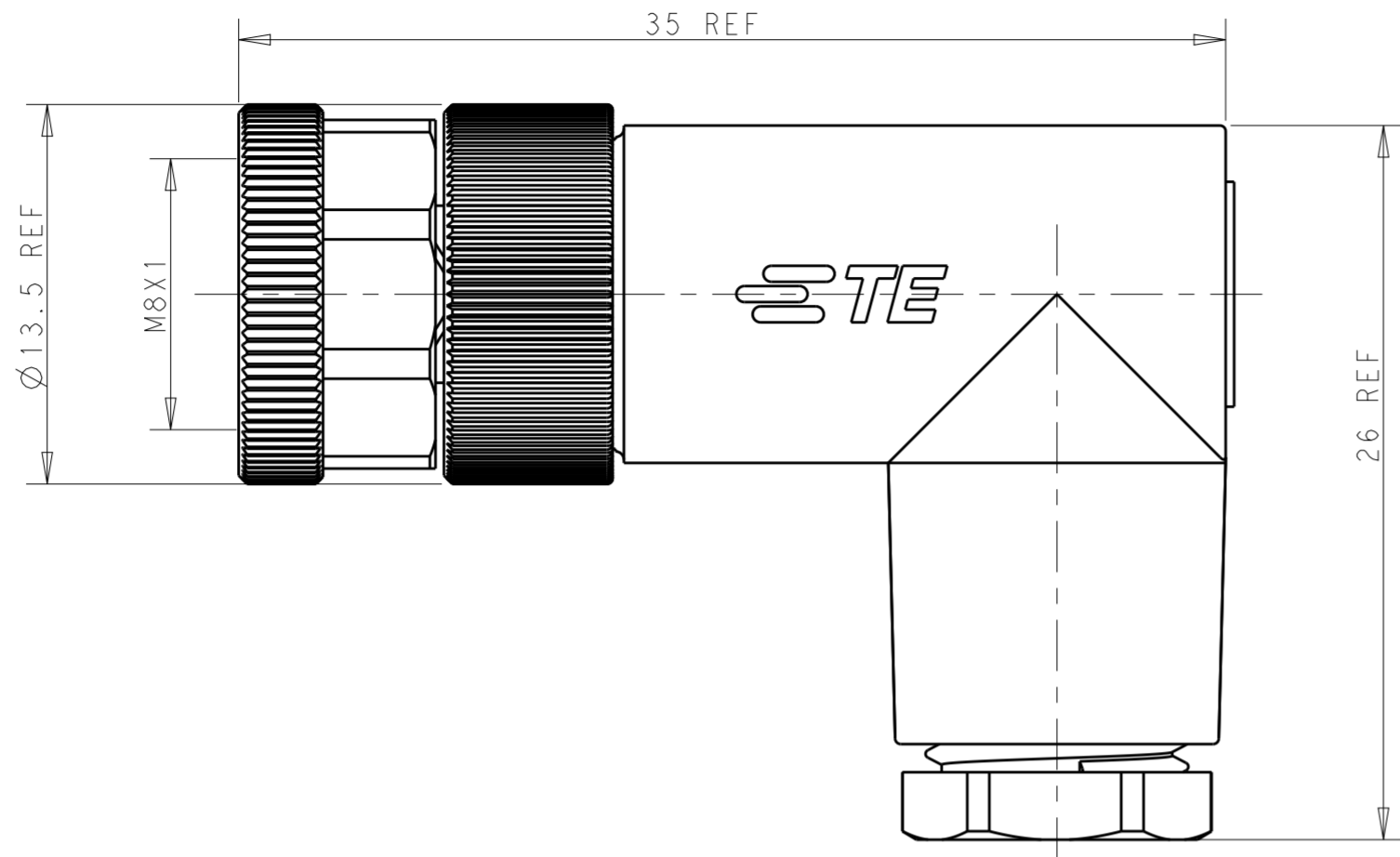


THIS DRAWING IS UNPUBLISHED. RELEASED FOR PUBLICATION 20
 © COPYRIGHT 20 BY - ALL RIGHTS RESERVED.

REVISIONS				
P	LTR	DESCRIPTION	DATE	APVD
A		INITIAL RELEASED	11APR2016	L.Z X.X
B		EC-16-011351 NEW REVISE	01JUL2016	L.Z X.X
B1		REVISED PER ECR-16-012993	19SEP2016	L.Z X.X



OPERATION TEMPERATURE	-40~85°C	-40~85°C
DEGREE OF PROTECTION	IP67	IP67
INSULATION RESISTANCE	>100MΩ	>100MΩ
RATED IMPULSE VOLTAGE	800V	1500V
MATERIAL GROUP	II	II
OVERVOLTAGE CATEGOYR	II	II
POLLUTION DEGREE	3	3
RATED CURRENT	3A	3A
RATED VOLTAGE	30V	60V
TECHNICAL DATA	T401200804X-000	T401200803X-000

- NOTES;
- PARTS MATERIAL DATA:SEE TABLE
 - CONTACT FINISH:
GOLD OVER NICKEL OR SILVER OVER NICKEL
 - CABLE WIRES:
26AWG/0.14mm² Max & 24AWG/0.25mm² Max
 - ALL DIMENSIONS ARE FOR NOMINAL REFERENCE ONLY UNLESS OTHERWISE STATE
 - PACKAGIN: 1 PIECE IN A BAG
 - PN INFORMATION FOR ASSEMBLY PARTS
T401200XXXX-000

- CONTACT FINISH:
1:GOLD OVER NICKEL
2:SILVER OVER NICKEL
- NUMBERS OFPINS:
03:3 PINS
04:4 PINS
...
- CABLE OUTLET:
8:PLASTIC/8(CABLE FEED:3.5~4.8mm)
9:METAL(CABLE FEED:3.5~5.0mm)
...

- 注意事项;
- 零件材料参见附表
 - 表面处理:镀金或镀银
 - 适用线材:26AWG/0.14mm² Max & 24AWG/0.25mm² Max
 - 所有尺寸标注为基本参考,除非其它说明
 - 包装:每BAG装1PC
 - 料号数字代码参考上表

T4012008042-000	RPC-M8-FR-4CON-PG7-M	OBSOLETE
T4012008041-000	RPC-M8-FR-4CON-PG7-MU	
T4012008032-000	RPC-M8-FR-3CON-PG7-M	OBSOLETE
T4012008031-000	RPC-M8-FR-3CON-PG7-MU	
TE PN	TYPE	

COMMENT	MATERIAL	DESCRIPTION	ITEM	OBSOLETE	OBSOLETE
-	PBT	PRESS SCREW	6	1	1
-	PBT	RIGHT ANGLE PLASTIC HOUSING	5	1	1
SILVER 80U"	BRASS	M8 SCTREW ASSY REC TERMINAL	4	4	3
GOLD 3U"				4	3
NICKEL 80U"	BRASS	M8 SCREW ASSY OUT SCREW	3	1	1
NICKEL 80U"	BRASS	M8,FEMALE INSERT NUT	2	1	1
BLACK	PA	M8,FEMALE HSG,A CODE,4PIN	1	1	-
		M8,FEMALE HSG,A CODE,3PIN		-	1
				4	4
				0	0
				0	0
				1	1
				2	2
				0	0
				0	0
				8	8
				0	0
				0	0
				4	3
				2	1
				0	0
				0	0
				0	0

THIS DRAWING IS A CONTROLLED DOCUMENT.		DWN LEAR ZHANG 11APR2016	TE Connectivity	
		CHK KOBBY ZHAO 11APR2016		
		APVD XU XIANG 11APR2016	NAME M8 FEMALE SCREW ASSY RIGHT ANGLE UNSHIELDING CONNECTOR	
DIMENSIONS: mm		TOLERANCES UNLESS OTHERWISE SPECIFIED: 0 PLC ±- 1 PLC ±0.20 2 PLC ±0.20 3 PLC ±0.20 4 PLC ±- ANGLES ±- FINISH	PRODUCT SPEC 108-106140	SIZE A2
MATERIAL			APPLICATION SPEC 114-137144-1	CAGE CODE -
			WEIGHT -	DRAWING NO G-T40120080XX000
			CUSTOMER DRAWING	RESTRICTED TO -
			SCALE 2:1	SHEET 1 OF 1
				REV B1