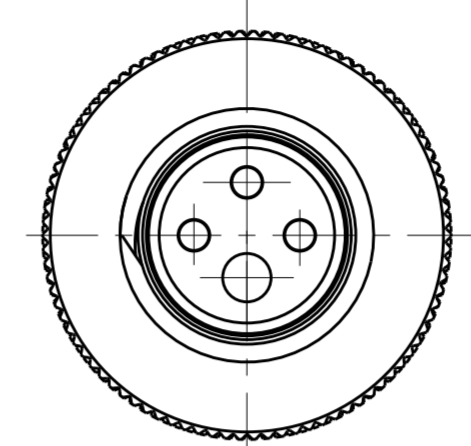
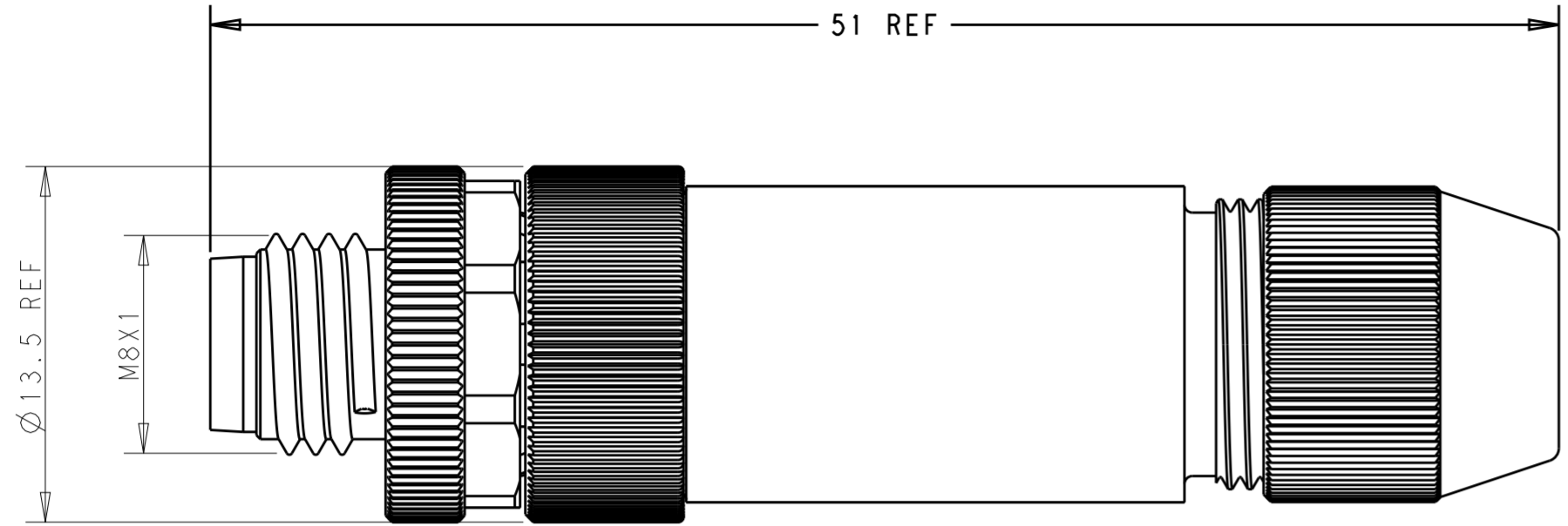
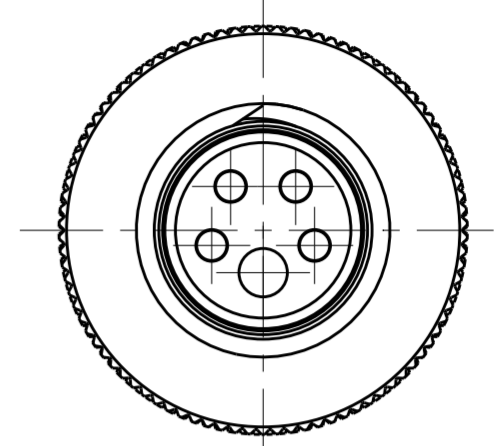


THIS DRAWING IS UNPUBLISHED. RELEASED FOR PUBLICATION 20  
 © COPYRIGHT 20 BY - ALL RIGHTS RESERVED.

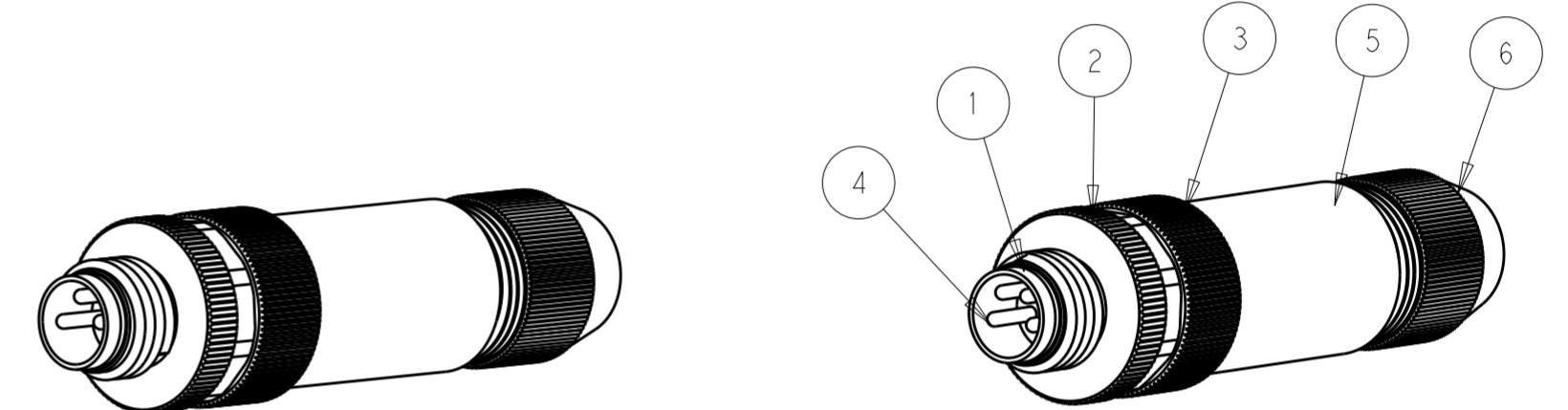
REVISIONS					
P	LTR	DESCRIPTION	DATE	DWN	APVD
A		INITIAL RELEASED	11APR2016	L.Z	X.X
B		EC-16-011351 NEW REVISE	01JUL2016	L.Z	X.X



3POS



4POS



OPERATION TEMPERATURE	-40~85°C	-40~85°C
DEGREE OF PROTECTION	IP67	IP67
INSULATION RESISTANCE	>100MΩ	>100MΩ
RATED IMPULSE VOLTAGE	800V	1500V
MATERIAL GROUP	II	II
OVERVOLTAGE CATEGOYR	II	II
POLLUTION DEGREE	3	3
RATED CURRENT	3A	3A
RATED VOLTAGE	30V	60V
TECHNICAL DATA	T401101904X-000	T401101903X-000

NOTES;

- PARTS MATERIAL DATA:SEE TABLE
- CONTACT FINISH:  
GOLD OVER NICKEL OR SILVER OVER NICKEL
- CABLE WIRES:  
26AWG/0.14mm<sup>2</sup> Max & 24AWG/0.25mm<sup>2</sup> Max
- ALL DIMENSIONS ARE FOR NOMINAL REFERENCE ONLY UNLESS OTHERWISE STATE
- PACKAGIN: 1 PIECE IN A BAG
- PN INFORMATION FOR ASSEMBLY PARTS  
T401101XXXX-000

- CONTACT FINISH:  
1:GOLD OVER NICKEL  
2:SILVER OVER NICKEL
- NUMBERS OFPINS:  
03:3 PINS  
04:4 PINS  
...
- CABLE OUTLET:  
8:PLASTIC(CABLE FEED:3.5~4.8mm)  
9:METAL(CABLE FEED:3.5~5.0mm)  
...

- 注意事项;
- 零件材料参见附表
  - 表面处理: 镀金或镀银
  - 适用线材: 26AWG/0.14mm<sup>2</sup> Max & 24AWG/0.25mm<sup>2</sup> Max
  - 所有尺寸标注为基本参考, 除非其它说明
  - 包装: 每BAG装IPC
  - 料号数字代码参考上表

T4011019042-000	RPC-M8-MS-4CON-PG7-SH	OBSOLETE
T4011019041-000	RPC-M8-MS-4CON-PG7-SHU	
T4011019032-000	RPC-M8-MS-3CON-PG7-SH	OBSOLETE
T4011019031-000	RPC-M8-MS-3CON-PG7-SHU	
TE PN	TYPE	

COMMENT	MATERIAL	DESCRIPTION	ITEM	OBSOLETE	OBSOLETE
	NICKEL	BRASS	PRESS SCREW	6	1
	NICKEL	BRASS	STRAIGHT METAL HOUSING	5	1
	SILVER 80U"	BRASS	M8 SCTREW ASSY PLUG TERMINAL	4	3
	GOLD 3U"				
	NICKEL 80U"	BRASS	M8 SCREW ASSY OUT SCREW	3	1
	NICKEL 80U"	BRASS	M8,MALE INSERT NUT	2	1
	BLACK	PA	M8,MALE HSG,A CODE,4PIN	1	1
			M8,MALE HSG,A CODE,3PIN		
				4	4
				0	0
				1	1
				0	0
				1	1
				0	0
				9	9
				0	0
				4	4
				2	2
				0	0
				0	0
				0	0

THIS DRAWING IS A CONTROLLED DOCUMENT.		DWN: 11APR2016 LEAR ZHANG	TE Connectivity	
DIMENSIONS: mm		CHK: KOBBY ZHAO		
TOLERANCES UNLESS OTHERWISE SPECIFIED:		APVD: XU XIANG	NAME: M8 MALE SCREW ASSY STRAIGHT SHIELDING CONNECTOR	
0 PLC ±		PRODUCT SPEC: 108-106140	SIZE: A2	
1 PLC ±0.20		APPLICATION SPEC: 114-137144-1	CAGE CODE: -	
2 PLC ±0.20		WEIGHT: -	DRAWING NO: T40110190XX000	
3 PLC ±0.20		CUSTOMER DRAWING	RESTRICTED TO: -	
4 PLC ±		SCALE: 2:1	SHEET 1 OF 1	
ANGLES FINISH		REV: B1		