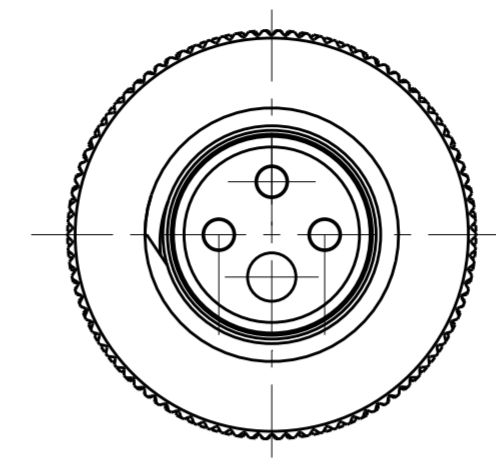
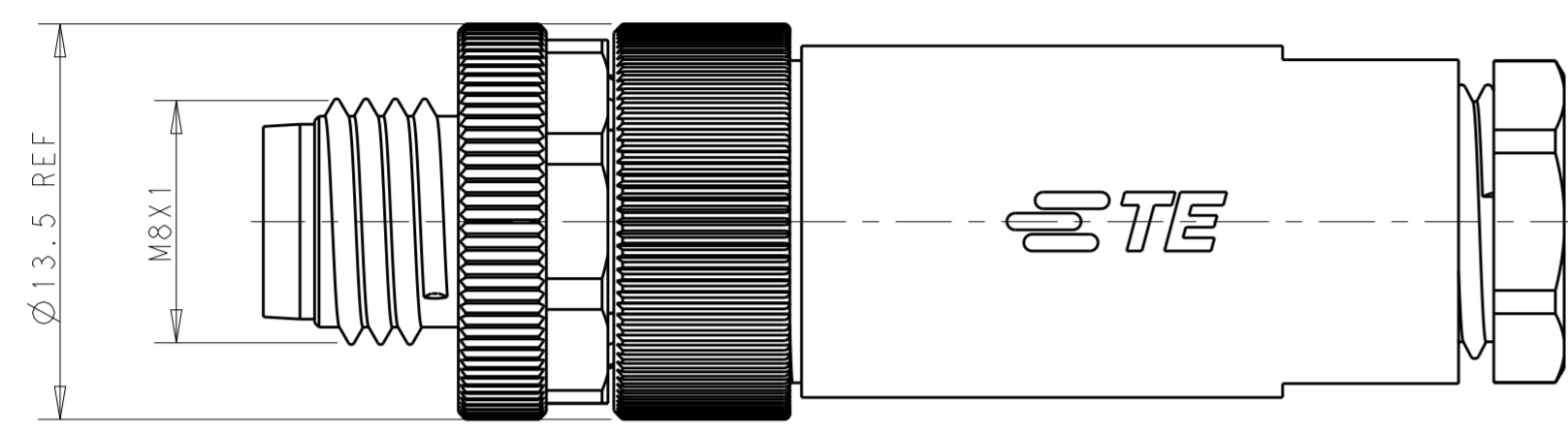
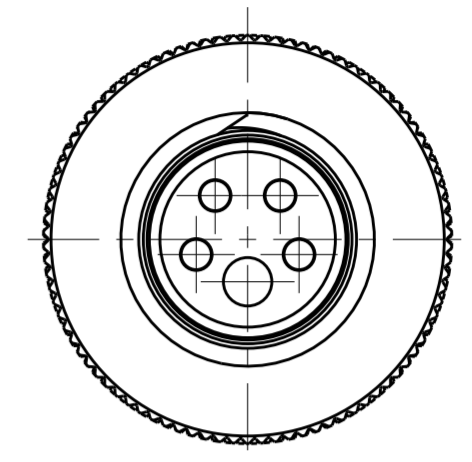


THIS DRAWING IS UNPUBLISHED. RELEASED FOR PUBLICATION 20
 © COPYRIGHT 20 BY - ALL RIGHTS RESERVED.

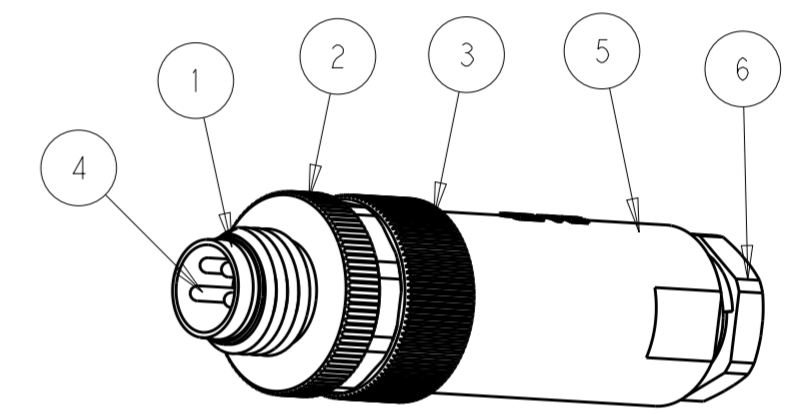
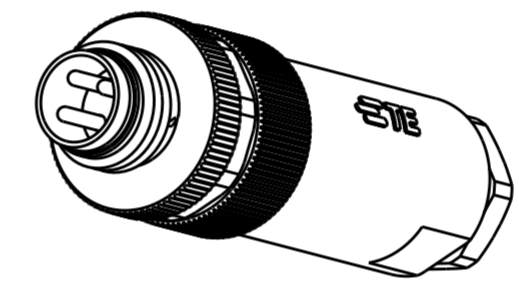
REVISIONS				
P	LTR	DESCRIPTION	DATE	APVD
A		INITIAL RELEASE	11APR2016	L.Z X.X
B		EC-16-011351 NEW REVISE	01JUL2016	L.Z X.X
B1		REVISED PER ECR-16-012993	19SEP2016	L.Z X.X



3POS



4POS



OPERATION TEMPERATURE	-40~85°C	-40~85°C
DEGREE OF PROTECTION	IP67	IP67
INSULATION RESISTANCE	>100MΩ	>100MΩ
RATED IMPULSE VOLTAGE	800V	1500V
MATERIAL GROUP	II	II
OVERVOLTAGE CATEGOYR	II	II
POLLUTION DEGREE	3	3
RATED CURRENT	3A	3A
RATED VOLTAGE	30V	60V
TECHNICAL DATA	T401100804X-000	T401100803X-000

- NOTES;
- PARTS MATERIAL DATA:SEE TABLE
 - CONTACT FINISH:
GOLD OVER NICKEL OR SILVER OVER NICKEL
 - CABLE WIRES:
26AWG/0.14mm² Max & 24AWG/0.25mm² Max
 - ALL DIMENSIONS ARE FOR NOMINAL REFERENCE ONLY UNLESS OTHERWISE STATE
 - PACKAGIN: 1 PIECE IN A BAG
 - PN INFORMATION FOR ASSEMBLY PARTS
T401100XXXX-000

TE PN	TYPE		OBSOLETE	OBSOLETE
T4011008042-000	RPC-M8-MS-4CON-PG7-M	OBSOLETE		
T4011008041-000	RPC-M8-MS-4CON-PG7-MU			
T4011008032-000	RPC-M8-MS-3CON-PG7-M	OBSOLETE		
T4011008031-000	RPC-M8-MS-3CON-PG7-MU			
-	PBT	PRESS SCREW	6	1 1 1
-	PBT	STRAIGHT PLASTIC HOUSING	5	1 1 1
SILVER 80U"	BRASS	M8 SCTREW ASSY PLUG TERMINAL	4	4
GOLD 3U"				3
NICKEL 80U"	BRASS	M8 SCREW ASSY OUT SCREW	3	1 1 1
NICKEL 80U"	BRASS	M8,MALE INSERT NUT	2	1 1 1
BLACK	PA	M8,MALE HSG,A CODE,4PIN	1	1 1 1
		M8,MALE HSG,A CODE,3PIN	1	1 1 1
				T 4 4 4 4
				0 0 0 0
				1 1 1 1
				0 0 0 0
				0 0 0 0
				8 8 8 8
				0 0 0 0
				4 4 4 3
				2 1 2 1
				0 0 0 0
				0 0 0 0
				0 0 0 0

- CONTACT FINISH:
1:GOLD OVER NICKEL
2:SILVER OVER NICKEL
- NUMBERS OFPINS:
03:3 PINS
04:4 PINS
...
- CABLE OUTLET:
8:PLASTIC/8(CABLE FEED:3.5~4.8mm)
9:METAL(CABLE FEED:3.5~5.0mm)
...

- 注意事项;
- 零件材料参见附表
 - 表面处理:镀金或镀银
 - 适用线材:26AWG/0.14mm² Max & 24AWG/0.25mm² Max
 - 所有尺寸标注为基本参考,除非其它说明
 - 包装:每BAG装1PC
 - 料号数字代码参考上表

THIS DRAWING IS A CONTROLLED DOCUMENT.		DWN LEAR ZHANG 12APR2016	TE Connectivity	
DIMENSIONS: mm		CHK KOBBY ZHAO 12APR2016		
TOLERANCES UNLESS OTHERWISE SPECIFIED: 0 PLC ± 1 PLC ±0.20 2 PLC ±0.20 3 PLC ±0.20 4 PLC ± ANGLES ± FINISH		APVD XU XIANG 12APR2016	NAME M8 MALE SCREW ASSY STRAIGHT UNSHIELDING CONNECTOR	
MATERIAL		PRODUCT SPEC 108-106140	RESTRICTED TO	
		APPLICATION SPEC 114-137144-1	SIZE A2	CAGE CODE -
		WEIGHT -	DRAWING NO G-T40110080XX000	
		CUSTOMER DRAWING	SCALE 2:1	SHEET 1 OF 1
			REV B1	