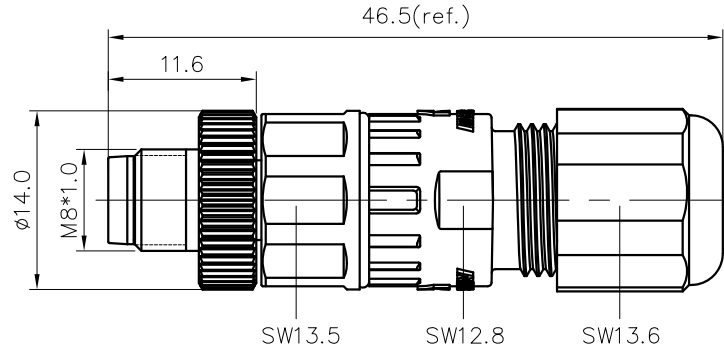
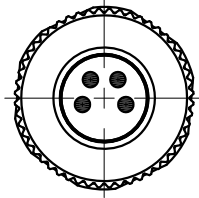


REVISION RECORD

REV	ECN	DESCRIPTION	DRFT	DATE
-----	-----	-------------	------	------



PB-M8A-XXP-MM-SL7001-00A(H)
 Pin number: 03,04

NOTES:

1. Rated voltage/current : 3pin: 60V / 3A
4pin: 60V / 3A
2. Withstanding voltage : AC800V/1Min
3. Levels of protection: IP67
4. Wire range : 3pin: 24~22AWG/0.25~0.34mm²
4pin: 24~22AWG/0.25~0.34mm²
5. Cable range : 4~6mm
6. Wire connection mode: screw
7. Operating temperature: -40°C~+85°C
8. RoHS Compliance

3pin A Coding	4pin A Coding
<p>Pin Assignment Front View</p>	<p>Pin Assignment Front View</p>

DETACHED LISTS	PART NO.: PBM8AXPMMSL700100AH		宁波高松电子有限公司 NINGBO DEGSON ELECTRICAL CO., LTD	
	APPD:	NAME: PB-M8A-XXP-MM-SL7001-00A(H)		
	CHKD:	TITLE: CUSTOMER DRAWING		
	DRFT: LZ 2018.10.20	REV: D0-1	SHEET: 1/1	
<p>THIRD ANGLE PROJECTION</p>		DRAWING NO.: XXXXXXXX-XX-CXX MM (INCH)	DO NOT SCALE DRAWING	SCALE: 1:1