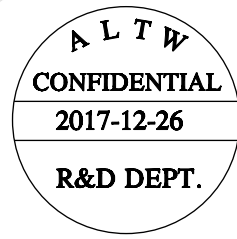
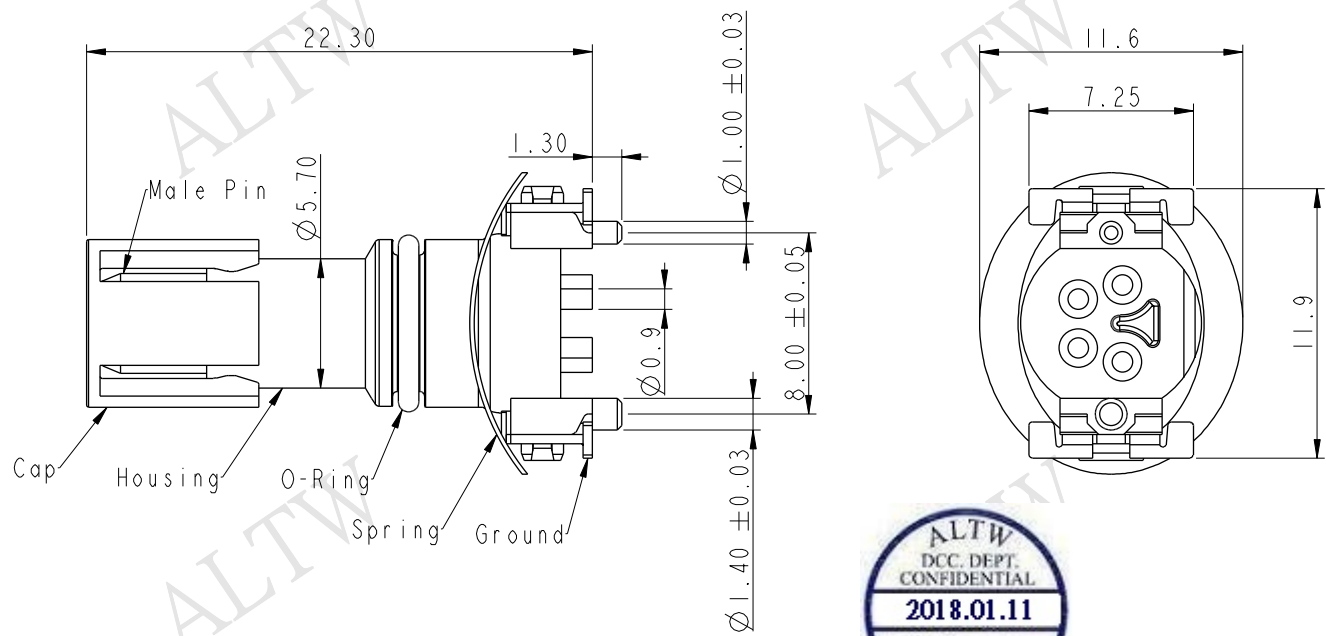


| REV. | ECN NO.         | DATE       | SIGN     | DESCRIPTION |
|------|-----------------|------------|----------|-------------|
| A    | Initial Release | 2017/12/26 | Jason Yu | New Item    |
|      |                 |            |          |             |



M8S - XXPMMT - EE8001

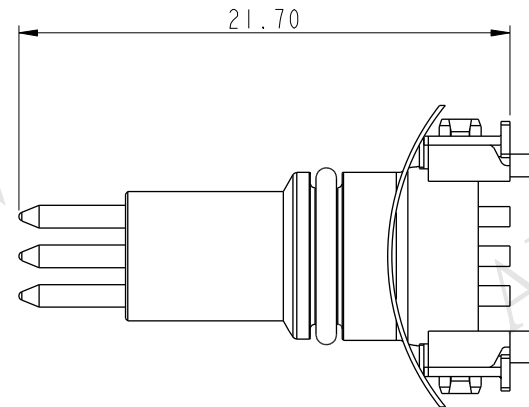
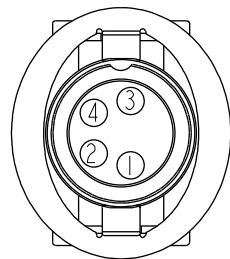
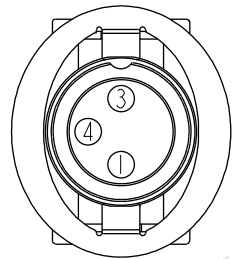
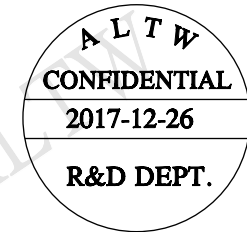
M8S: M8 Shield      001: Serial Number  
 03: 3Pin              8: IP68(Mated, 1M/24Hours)  
 04: 4Pin              IP65(Unmated)  
 P: Panel              E: None Back Shell  
 M: Male Connector    E: None Mating Style  
 M: Male Pin            T: SMT Type

Note:  
 \*  $\varnothing$  Important Dimension to Check  
 Material Specification:  
 \* Housing: Thermoplastic  
 \* Male Pin: Copper Alloy, Gold Plated  
 \* Ground: Copper Alloy, Tin Plated  
 \* Spring: Stainless Steel  
 Electrical Specification:  
 \* Contact Resistance: 10m $\Omega$  (Max.)  
 \* Insulation Resistance: 100M $\Omega$  (Min.)  
 \* Dielectric Withstanding Voltage: 1KV  
 \* Rated Voltage: 60V d.c. or a.c.  
 \* Rated Current: 3A  
 Mechanical Specification:  
 \* Durability: 1000 Cycles (IEC:100 Cycles)  
 Environmental Specification:  
 \* Temperature Range: -55~+125°C  
 \* Salt Spray: 48 Hrs  
 \* SMT Temperature & Time: 260°C / 5 sec  
 \* SMT Paste : 0.12mm

|           |  |  |   |                                 |                  |                 |                            |                          |
|-----------|--|--|---|---------------------------------|------------------|-----------------|----------------------------|--------------------------|
| UNIT:mm   |  |  | TITLE<br>M8 M CONN M PIN SMT TYPE                             |                                 |                  | ITEM NO         | DRAWN BY<br>Jason Yu       | DATE<br>2017/12/26       |
|           |  |  | TOLERANCE<br>.X ±0.25<br>.XX ±0.1<br>.XXX ±0.05<br>ANGLES ±1° | SCALE<br>3:1                    | SIZE<br>A4       | SHEET<br>1 OF 4 | DWG NO<br>M8S-XXPMT-EE8XXX | CHECKED BY<br>Arvin Chan |
| REV.<br>A |  |  | WC-REV.<br>A.5  | $\varnothing$ : Inspection item | CUSTOMER<br>ALTW |                 | APPROVED BY<br>Kevin Hu    | DATE<br>2017/12/26       |

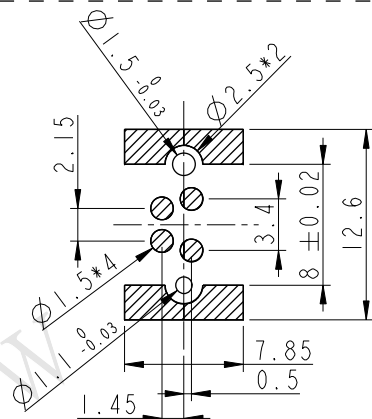
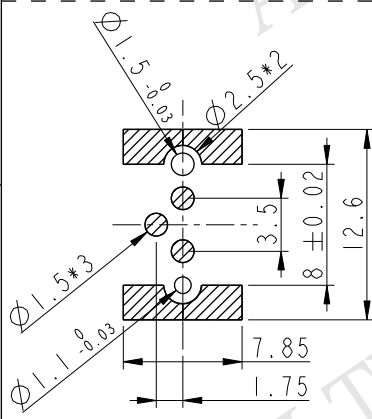
**Amphenol LTW**  
 安費諾亮泰企業股份有限公司

THIS DOCUMENT IS SUBJECT TO CHANGE WITHOUT NOTICE. IT IS CONFIDENTIAL AND A PROPERTY OF AMPHENOL LTW. DISCLOSURE TO THIRD PARTY HAS TO BE AUTHORIZED BY AMPHENOL LTW.



3 Pin

4 Pin



Recommended PCB Layout

Recommended PCB Layout

|           |       |  |
|-----------|-------|--|
| UNIT: mm  |       |  |
| TOLERANCE |       |  |
| .X        | ±0.25 |  |
| .XX       | ±0.1  |  |
| .XXX      | ±0.05 |  |
| ANGLES    | ±1°   |  |

|                                   |                |                     |  |
|-----------------------------------|----------------|---------------------|--|
| TITLE<br>M8 M CONN M PIN SMT TYPE |                |                     |  |
| SCALE<br>Free                     | SIZE<br>A4     | SHEET 2 OF 4        |  |
| REV.<br>A                         | WC-REV.<br>A.3 | QC: Inspection item |  |

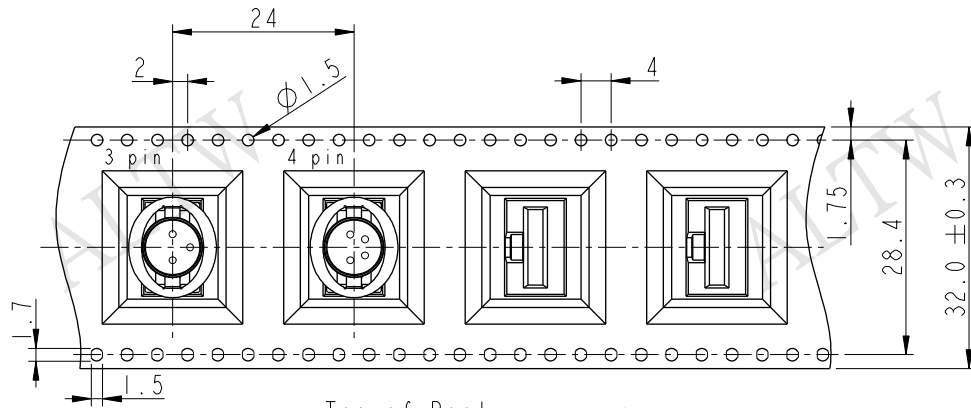
**Amphenol LTW**  
安費諾亮泰企業股份有限公司

|                             |                          |                    |
|-----------------------------|--------------------------|--------------------|
| ITEM NO                     | DRAWN BY<br>Jason Yu     | DATE<br>2017/12/26 |
| DWG NO<br>M8S-XXPMMT-EE8XXX | CHECKED BY<br>Arvin Chan | DATE<br>2017/12/26 |
| CUSTOMER<br>ALTW            | APPROVED BY<br>Kevin Hu  | DATE<br>2017/12/26 |

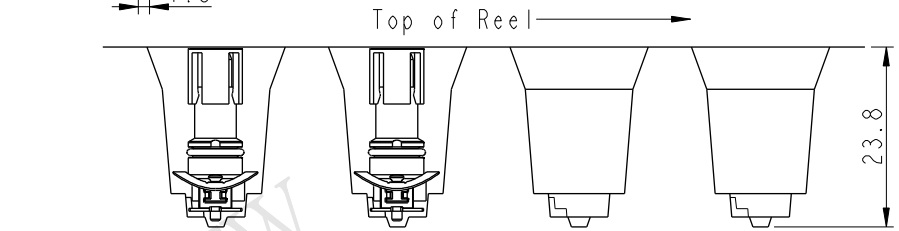
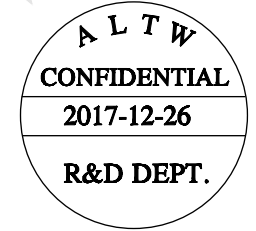
|                    |
|--------------------|
| DATE<br>2017/12/26 |
| DATE<br>2017/12/26 |
| DATE<br>2017/12/26 |

THIS DOCUMENT IS SUBJECT TO CHANGE WITHOUT NOTICE. IT IS CONFIDENTIAL AND A PROPERTY OF AMPHENOL LTW. DISCLOSURE TO THIRD PARTY HAS TO BE AUTHORIZED BY AMPHENOL LTW.

Tape & Reel Information:

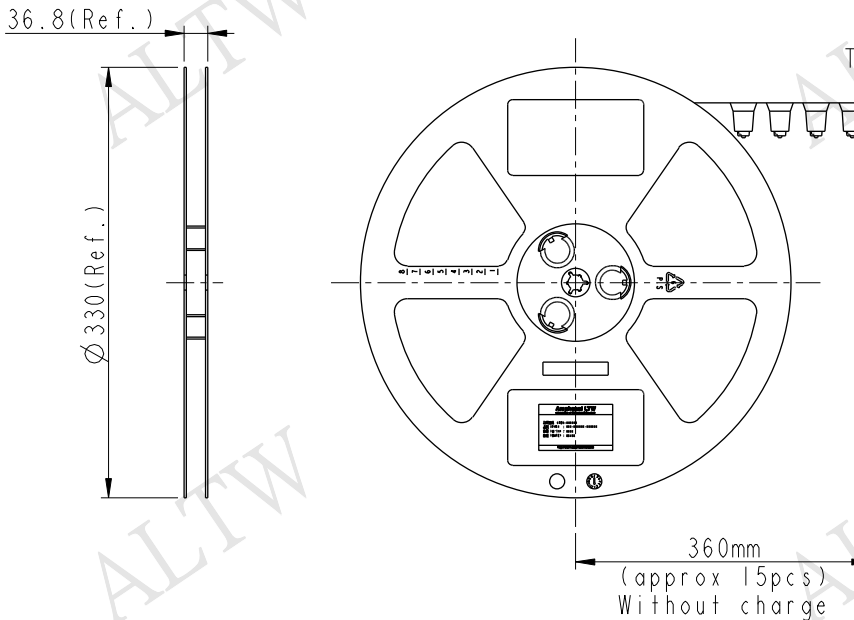


Note:  
\* (QC) Connector Orientation Follow Drawing



Wide Cover Tape Around  
Out Periphery 1 Turn

Peeling Strength 0.1~1.3N Max.  
(300±10mm/min)  
Peeling Angle 165~180°



|           |            |  |
|-----------|------------|--|
| UNIT: mm  |            |  |
| TOLERANCE | .X ±0.25   |  |
|           | .XX ±0.1   |  |
|           | .XXX ±0.05 |  |
| ANGLES    | ±1°        |  |

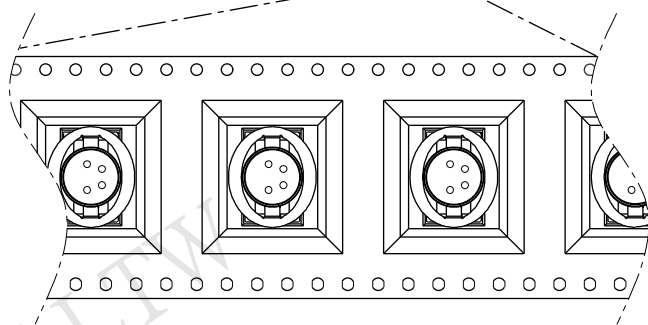
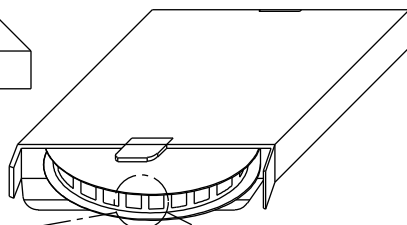
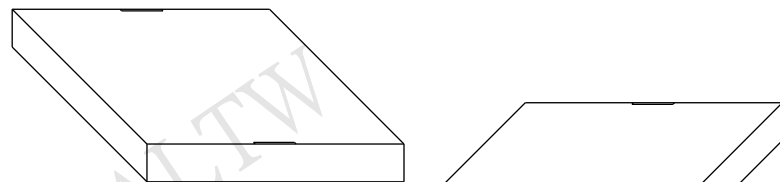
|                                   |                |                       |  |
|-----------------------------------|----------------|-----------------------|--|
| TITLE<br>M8 M CONN M PIN SMT TYPE |                |                       |  |
| SCALE<br>Free                     | SIZE<br>A4     | SHEET 3 OF 4          |  |
| REV.<br>A                         | WC-REV.<br>A.4 | (QC): Inspection item |  |

**Amphenol LTW**  
安費諾亮泰企業股份有限公司

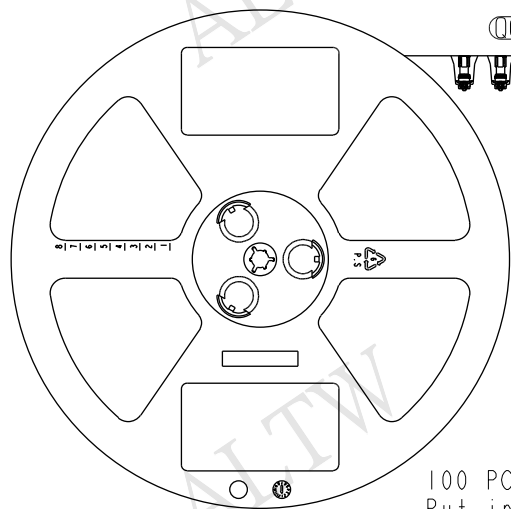
|                            |                          |                    |
|----------------------------|--------------------------|--------------------|
| ITEM NO                    | DRAWN BY<br>Jason Yu     | DATE<br>2017/12/26 |
| DWG NO<br>M8S-XXPMT-EE8XXX | CHECKED BY<br>Arvin Chan | DATE<br>2017/12/26 |
| CUSTOMER<br>ALTW           | APPROVED BY<br>Kevin Hu  | DATE<br>2017/12/26 |

THIS DOCUMENT IS SUBJECT TO CHANGE WITHOUT NOTICE. IT IS CONFIDENTIAL AND A PROPERTY OF AMPHENOL LTW. DISCLOSURE TO THIRD PARTY HAS TO BE AUTHORIZED BY AMPHENOL LTW.

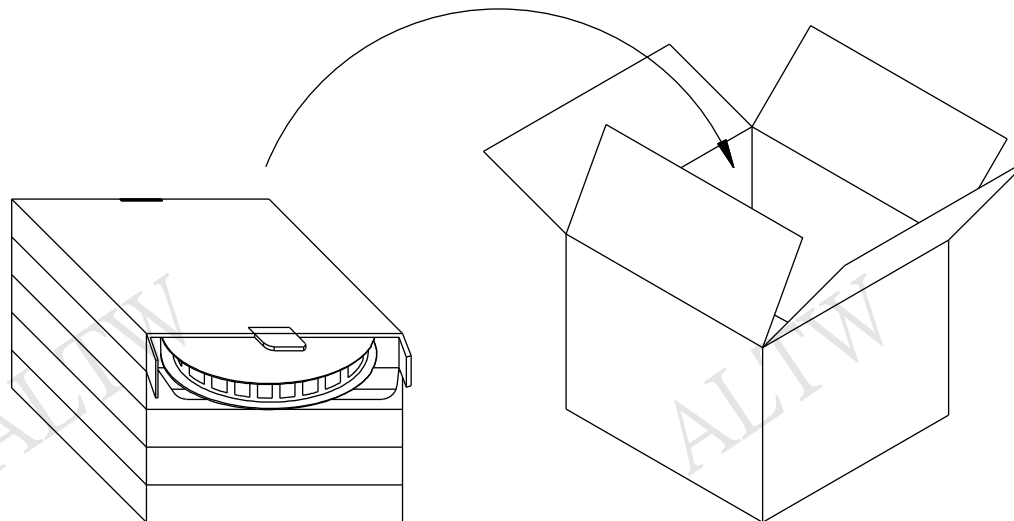
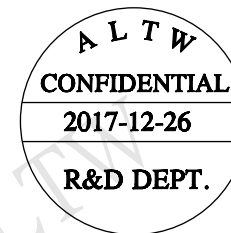
Package:



出料方向 →

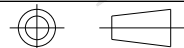


100 PCS(Connector)/Tape&Reel,  
Put in a Box



One Carton can put in the 5PCS(Max.) Box  
(500 PCS/Carton)

UNIT: mm



TOLERANCE  
.X ±0.25  
.XX ±0.1  
.XXX ±0.05  
ANGLES ±1°

|                                   |                |                     |  |
|-----------------------------------|----------------|---------------------|--|
| TITLE<br>M8 M CONN M PIN SMT TYPE |                |                     |  |
| SCALE<br>Free                     | SIZE<br>A4     | SHEET<br>4 OF 4     |  |
| REV.<br>A                         | WC-REV.<br>A.3 | QC: Inspection item |  |

**Amphenol LTW**  
安費諾亮泰企業股份有限公司

|                             |                          |                    |
|-----------------------------|--------------------------|--------------------|
| ITEM NO                     | DRAWN BY<br>Jason Yu     | DATE<br>2017/12/26 |
| DWG NO<br>M8S-XXPMMT-EE8XXX | CHECKED BY<br>Arvin Chan | DATE<br>2017/12/26 |
| CUSTOMER<br>ALTW            | APPROVED BY<br>Kevin Hu  | DATE<br>2017/12/26 |

THIS DOCUMENT IS SUBJECT TO CHANGE WITHOUT NOTICE. IT IS CONFIDENTIAL AND A PROPERTY OF Amphenol LTW. DISCLOSURE TO THIRD PARTY HAS TO BE AUTHORIZED BY Amphenol LTW.