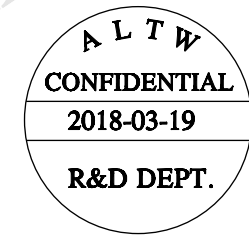
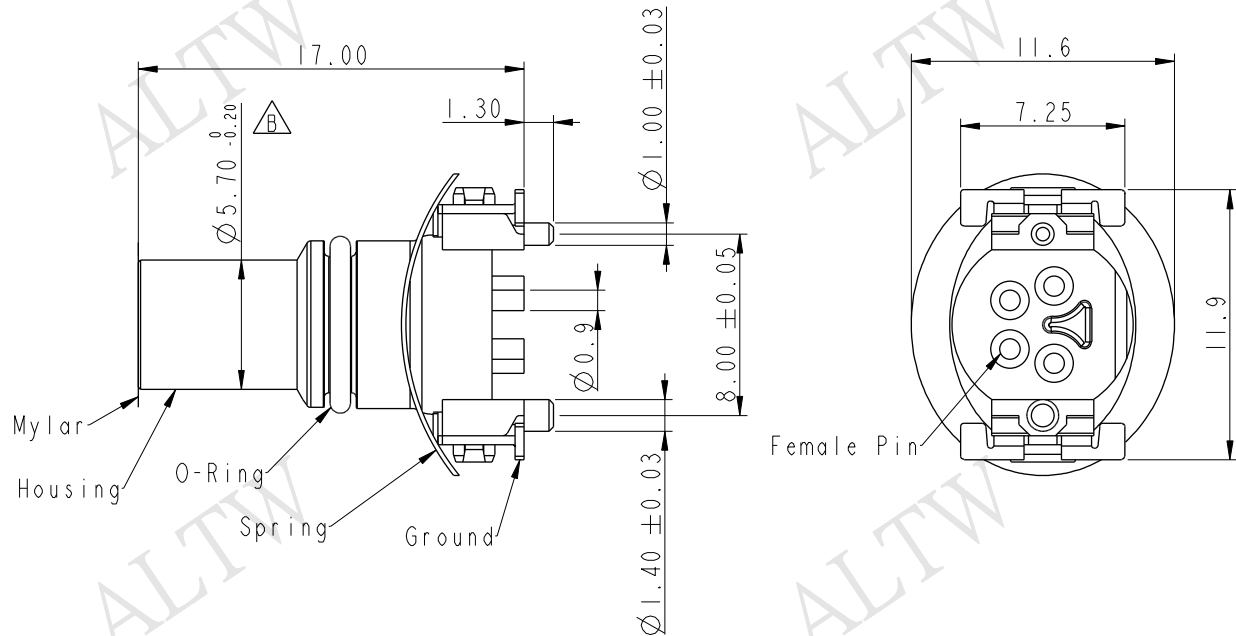


REV.	ECN NO.	DATE	SIGN	DESCRIPTION
A	Initial Release	2017/12/26	Jason Yu	New Item
B	LEN1840022~3	2018/03/19	Jason Yu	Change Dimension Tolerance



Note:

- * (CC) Important Dimension to Check

Material Specification:

- * Housing: Thermoplastic
- * Female Pin: Copper Alloy, Gold Plated
- * Ground: Copper Alloy, Tin Plated
- * Spring: Stainless Steel

Electrical Specification:

- * Contact Resistance: 10mΩ (Max.)
- * Insulation Resistance: 100MΩ (Min.)
- * Dielectric Withstanding Voltage: 1KV
- * Rated Voltage: 3Pin 60V d.c. or a.c.
4Pin 30V d.c. or a.c.
- * Rated Current: 3A

Mechanical Specification:

- * Durability: 1000 Cycles (IEC:100 Cycles)

Environmental Specification:

- * Temperature Range: -55~+125°C
- * Salt Spray: 48 Hrs
- * SMT Temperature & Time: 260°C / 5 sec
- * SMT Paste: 0.12mm

M 8 S - X X P F F T - E E 8 0 0 1

M8S: M8 Shield
 03: 3Pin
 04: 4Pin
 P: Panel
 F: Female Connector
 F: Female Pin

001: Serial Number
 8: IP68(Mated, 1M/24Hours)
 IP65(Unmated)
 E: None Back Shell
 E: None Mating Style
 T: SMT Type

UNIT:mm		TITLE		ITEM NO		DRAWN BY		DATE	
		M8 F CONN F PIN SMT TYPE		M8S-XXPFFT-EE8XXX		Jason Yu		2018/03/19	
TOLERANCE .X ±0.25 .XX ±0.1 .XXX ±0.05 ANGLES ±1°		SCALE	SIZE	SHEET	DWG NO	CHECKED BY	DATE		
		3:1	A4	1 OF 4	M8S-XXPFFT-EE8XXX	Arvin Chan	2018/03/19		
		REV.	WC-REV.	QC: Inspection item	CUSTOMER	APPROVED BY	DATE		
		B	A.1		ALTW	Kevin Hu	2018/03/19		

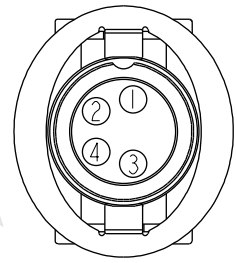
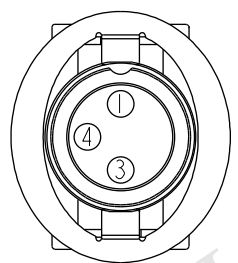
Amphenol LTW
 安費諾亮泰企業股份有限公司

THIS DOCUMENT IS SUBJECT TO CHANGE WITHOUT NOTICE. IT IS CONFIDENTIAL AND A PROPERTY OF AMPHENOL LTW. DISCLOSURE TO THIRD PARTY HAS TO BE AUTHORIZED BY AMPHENOL LTW.

THIS DOCUMENT IS SUBJECT TO CHANGE WITHOUT NOTICE. IT IS CONFIDENTIAL AND A PROPERTY OF AMPHENOL LTW. DISCLOSURE TO THIRD PARTY HAS TO BE AUTHORIZED BY AMPHENOL LTW.

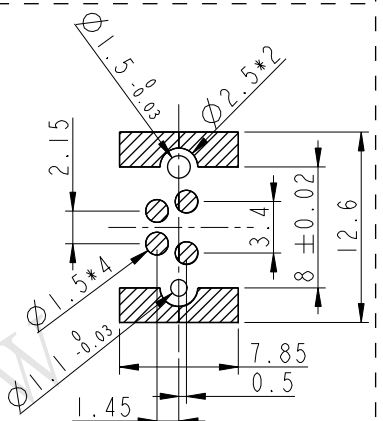
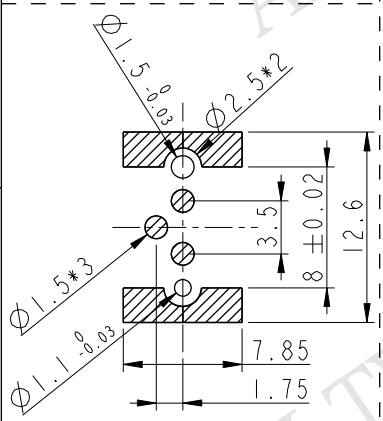
ALTW
CONFIDENTIAL
 2018-03-19
R&D DEPT.

ALTW
 DCC. DEPT.
CONFIDENTIAL
 2018.04.18
ISSUED



3 Pin

4 Pin



Recommended PCB Layout

Recommended PCB Layout

UNIT: mm		
TOLERANCE	.X	±0.25
	.XX	±0.1
	.XXX	±0.05
ANGLES		±1°

TITLE M8 F CONN F PIN SMT TYPE			
SCALE	Free	SIZE	A4
		SHEET	2 OF 4
REV.	B	WC-REV.	A.1
		QC	Inspection item

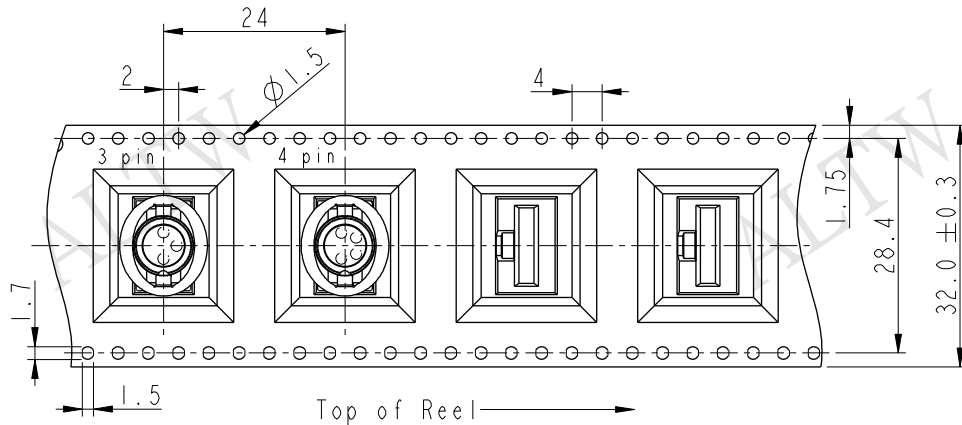
Amphenol LTW
安費諾亮泰企業股份有限公司

ITEM NO	
DWG NO	M8S-XXPFFT-EE8XXX
CUSTOMER	ALTW

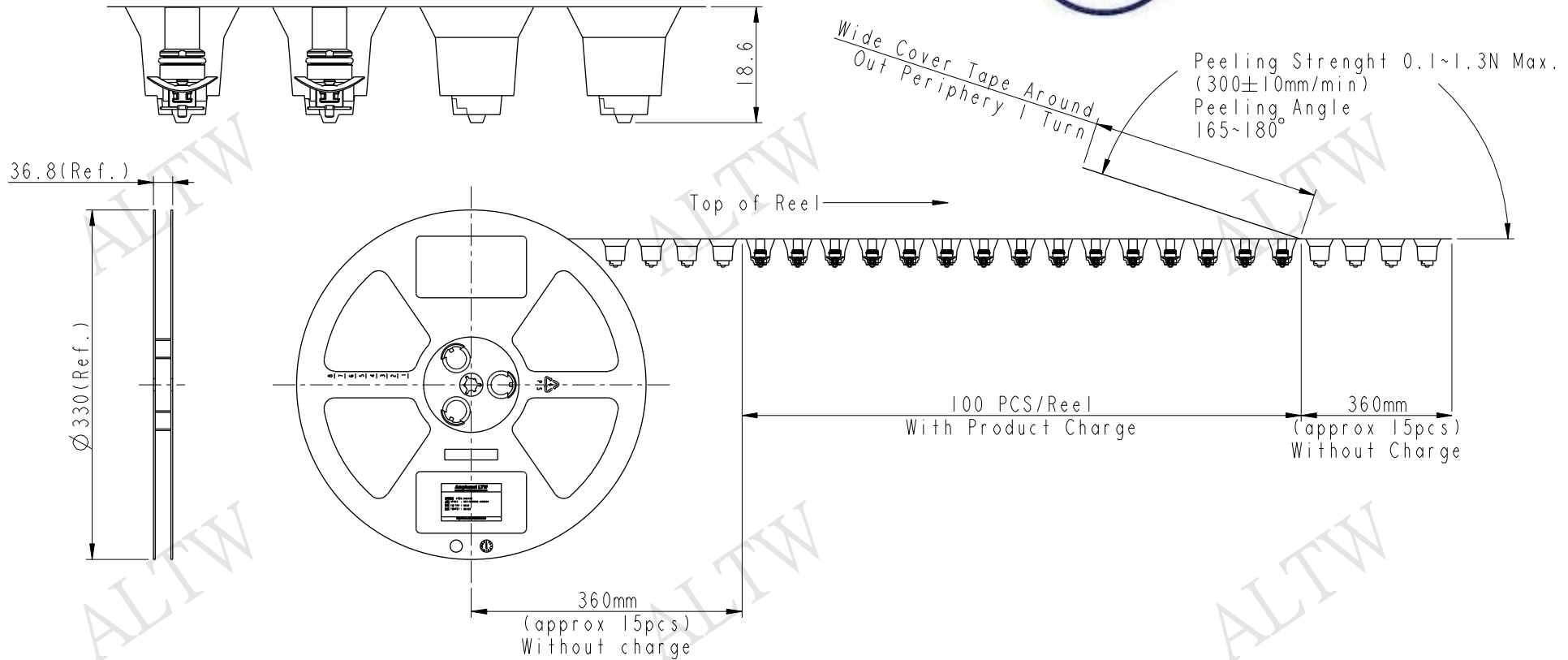
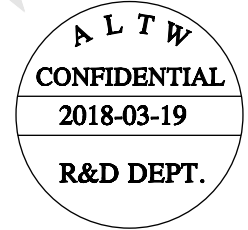
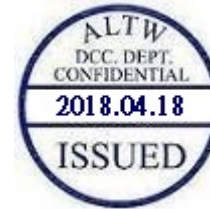
DRAWN BY	Jason Yu
CHECKED BY	Arvin Chan
APPROVED BY	Kevin Hu

DATE	2018/03/19
DATE	2018/03/19
DATE	2018/03/19

Tape & Reel Information:



Note:
 * Connector Orientat Follow Drawing



UNIT: mm		
TOLERANCE	.X	±0.25
	.XX	±0.1
	.XXX	±0.05
ANGLES		±1°

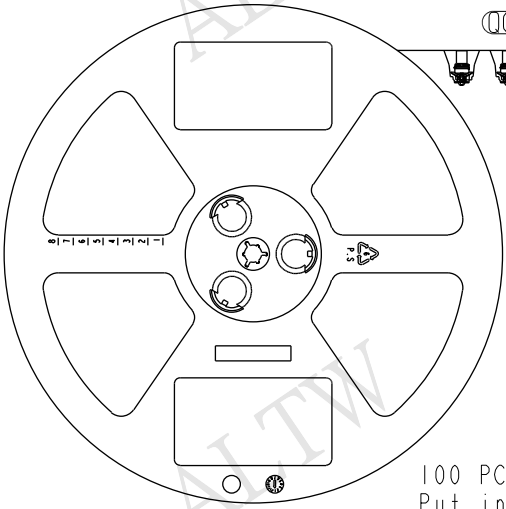
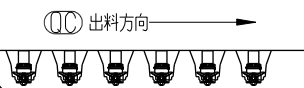
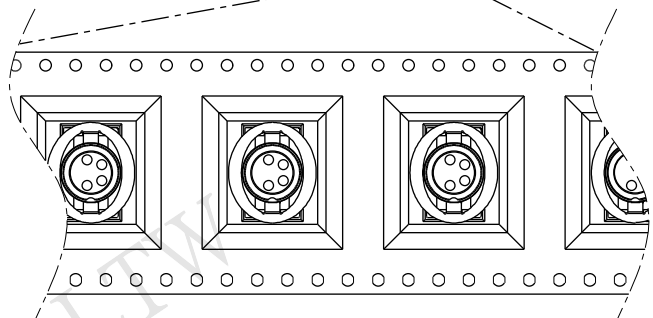
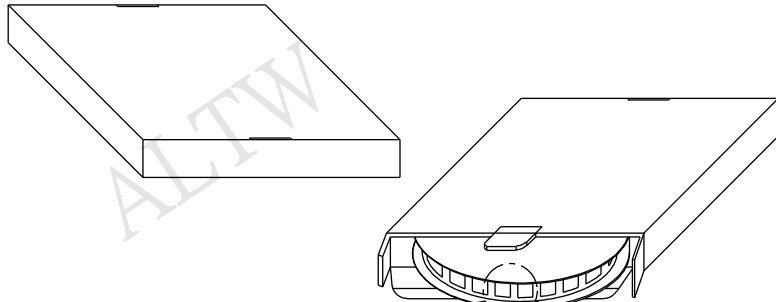
TITLE M8 F CONN F PIN SMT TYPE			
SCALE	Free	SIZE	A4
		SHEET	3 OF 4
REV.	B	WC-REV.	A.1 Inspection item

Amphenol LTW
 安費諾亮泰企業股份有限公司

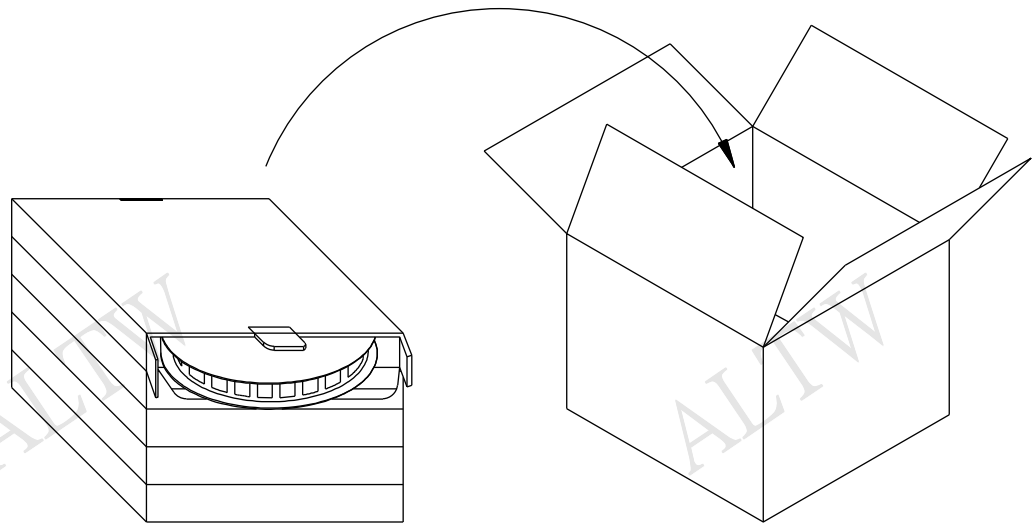
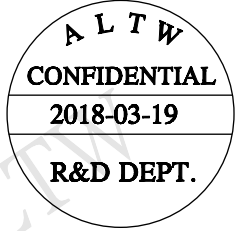
ITEM NO	DRAWN BY	DATE
	Jason Yu	2018/03/19
DWG NO	CHECKED BY	DATE
M8S-XXPFFT-EE8XXX	Arvin Chan	2018/03/19
CUSTOMER	APPROVED BY	DATE
ALTW	Kevin Hu	2018/03/19

DATE	2018/03/19
DATE	2018/03/19
DATE	2018/03/19

Package:



100 PCS(Connector)/Tape&Reel,
Put in a Box



One Carton can put in the 5PCS(Max.) Box
(500 PCS/ Carton)

UNIT: mm		
TOLERANCE	.X	±0.25
	.XX	±0.1
	.XXX	±0.05
ANGLES		±1°

TITLE M8 F CONN F PIN SMT TYPE			
SCALE	Free	SIZE	A4
		SHEET	4 OF 4
REV.	B	WC-REV.	A.1
		QC	QC: Inspection item

Amphenol LTW
安費諾亮泰企業股份有限公司

ITEM NO	DRAWN BY	DATE
	Jason Yu	2018/03/19
DWG NO	CHECKED BY	DATE
M8S-XXPFFT-EE8XXX	Arvin Chan	2018/03/19
CUSTOMER	APPROVED BY	DATE
ALTW	Kevin Hu	2018/03/19

THIS DOCUMENT IS SUBJECT TO CHANGE WITHOUT NOTICE. IT IS CONFIDENTIAL AND A PROPERTY OF AMPHENOL LTW. DISCLOSURE TO THIRD PARTY HAS TO BE AUTHORIZED BY AMPHENOL LTW.