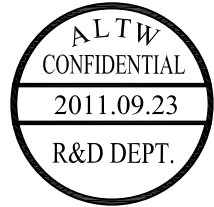
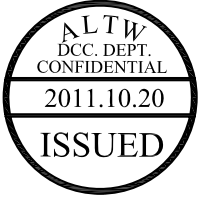
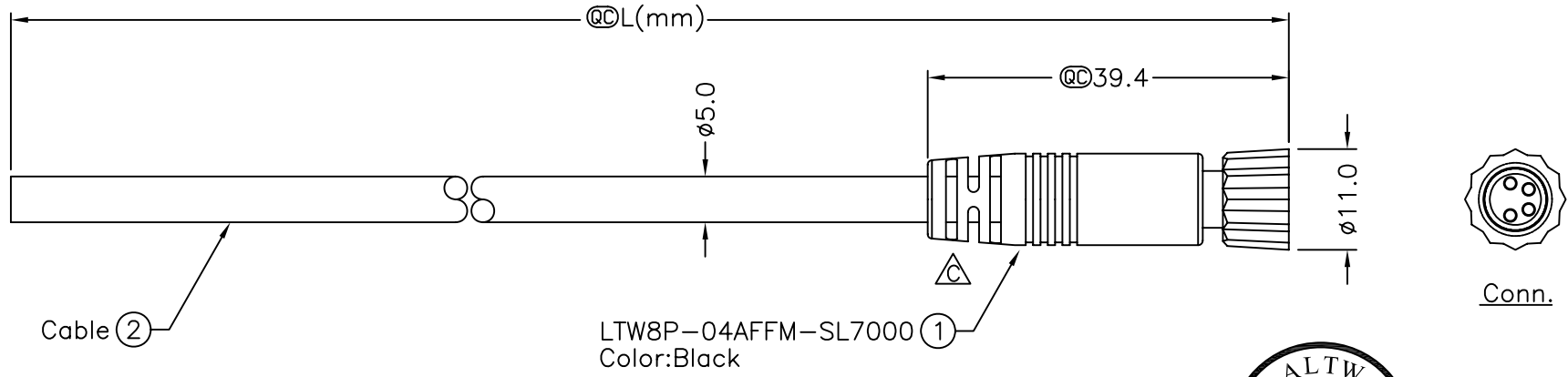


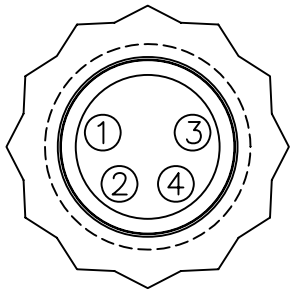
REV.	ECN NO.	DATE	SIGN	DESCRIPTION
B	LEN-920520~523	2009/02/19	Vicky	Update the drawing.
C	LEN11A0127~130	2011/09/23	Jiang Jun Hua	Change SR View

THIS DOCUMENT IS SUBJECT TO CHANGE WITHOUT NOTICE. IT IS CONFIDENTIAL AND A PROPERTY OF Amphenol LTW. DISCLOSURE TO THIRD PARTY HAS TO BE AUTHORIZED BY Amphenol LTW.



LTW8P-04AFFM-SL7AXX
 XX:01~99Meters
 01:01Meter
 02:02Meters
 :
 :
 99:99Meters
 Cable Length(L):01~99Meters

- Notes:
- * @C Important Dimension.
 - * Waterproof Rate:IP67.
 - * Connector:Black,PU.
 - * Female Pin:Copper Alloy,Gold Plated.
 - * Cable:UL2464 22AWG*4C+Talcum,Black, PVC Jacket,UV Resistant,OD=5.0mm.
 - * Cable Length Tolerance: 01M:±40mm
 02M~05M:±60mm
 06M~10M:±100mm
 11M~30M:±200mm
 31M~99M:±500mm



4	Black	黑
3	Blue	藍
2	White	白
1	Brown	棕
Conn.	Wire Color	
	Pin Out	

UNIT:mm		TITLE	
TOLERANCE		M8 Conn Cable Screw 4P F Conn F Pin	
±0.5 mm		SCALE Free	SHEET 1 OF 1
		REV. C	SIZE A4
			@C :Inspection Item

Amphenol LTW		ITEM NO	DRAWN BY	DATE
安費諾亮泰企業股份有限公司		LTW8P-04AFFM-SL7AXX	Jiang Jun Hua	2011/09/23
		CUSTOMER	CHECKED BY	DATE
		ALTW	Huangrongfang	2011/10/06
			APPROVED BY	DATE
			Luke	2011/10/07