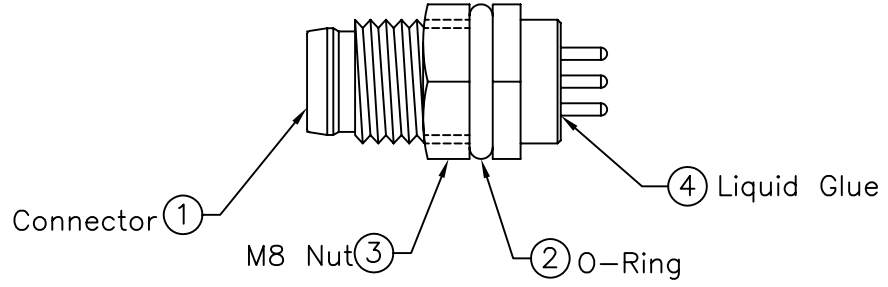
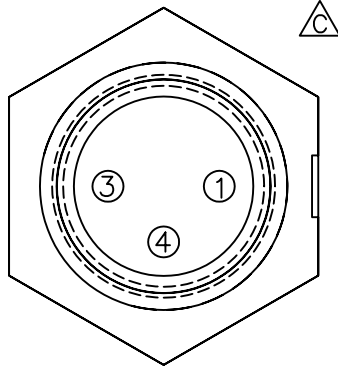
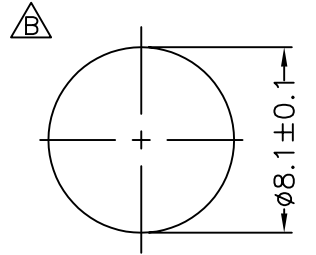
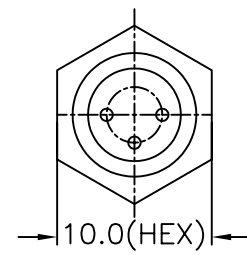
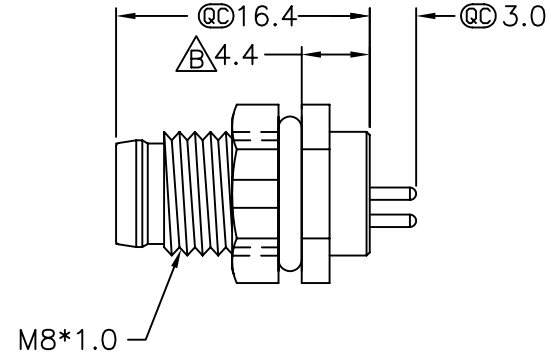
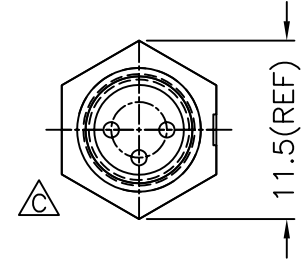
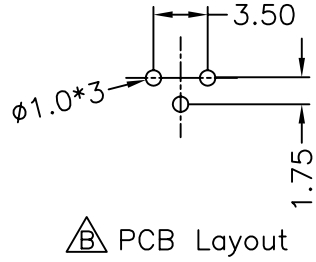


REV.	ECN NO.	DATE	SIGN	DESCRIPTION
B	LEN-910192	2009/01/07	Ivan Lin	Change rev. to ECN note
C	LEN-030191	2010/03/24	Li Xiu Zhi	Change View

THIS DOCUMENT IS SUBJECT TO CHANGE WITHOUT NOTICE. IT IS CONFIDENTIAL AND A PROPERTY OF LTW. DISCLOSURE TO THIRD PARTY HAS TO BE AUTHORIZED BY LTW.



- Note:
- \* @C Important Dimension To Check.
  - \* Waterproof Rate: IP67
  - \* Housing: Nylon+GF, Black
  - \* Male Pin: Copper Alloy, Gold Plated
  - \* M8 Nut: Nylon+GF, Black
  - \* O-Ring: EPDM, Black
  - \* For Panel Thickness Max 3.0mm

UNIT:mm	
TOLERANCE	
.X	±0.25
.XX	±0.1
.XXX	±0.05
ANGLES	±1°

TITLE	
M8 Conn	
Panel Screw 3P M Conn M Pin	
SCALE	SHEET
Free	1 OF 1
REV. C	SIZE A4
QC : Inspection Item	

**LTW**  
亮泰企業股份有限公司

ITEM NO	LTW8P-03PMMP-SF7001
DWG NO	LTW8P-03PMMP-SF7001
CUSTOMER	

DRAWN BY	Li Xiu Zhi
CHECKED BY	Tina
APPROVED BY	Can

DATE	2010/03/24
DATE	2010/03/24
DATE	2010/03/24