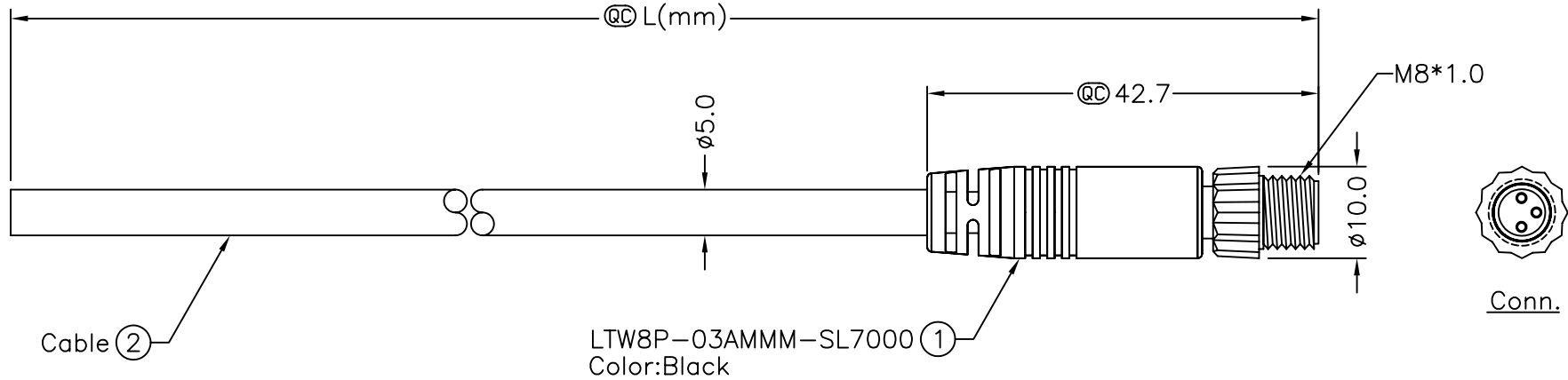


REV.	ECN NO.	DATE	SIGN	DESCRIPTION
B	LEN-920490~493	2009/02/24	Vicky	Update the drawing.



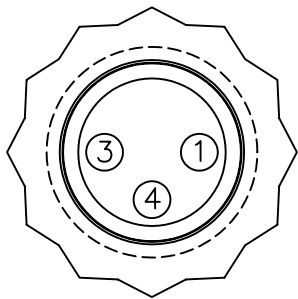
LTW8P-03AMMM-SL7AXX

XX:01~99Meters
01:01Meter
02:02Meters
 :
 :
99:99Meters

Cable Length(L):01~99Meters

Notes:

- * \textcircled{C} Important Dimension.
- * Waterproof Rate:IP67.
- * Connector:Black,PU.
- \triangle * Male Pin:Copper Alloy,Gold Plated.
- * Cable:UL2464 22AWG*3C+Talcum,Black, PVC Jacket,UV Resistant,OD=5.0mm.
- \triangle * Cable Length Tolerance: 01M:±40mm
 02M~05M:±60mm
 06M~10M:±100mm
 11M~30M:±200mm
 31M~99M:±500mm



Pin Assignments
Front View

4	Black	黑
3	Blue	藍
1	Brown	棕
Conn.	Wire Color	
	Pin Out	

UNIT:mm	
TOLERANCE	±0.5 mm

TITLE	\triangle M8 Conn	
	Cable Screw 3P M Conn M Pin	
SCALE	Free	SHEET 1 OF 1
REV.	B	SIZE A4
		\textcircled{C} :Inspection Item

LTW
亮泰企業股份有限公司

ITEM NO	DRAWN BY	DATE
	Vicky	2009/02/24
DWG NO	CHECKED BY	DATE
LTW8P-03AMMM-SL7AXX	Tommy	2009/02/24
CUSTOMER	APPROVED BY	DATE
	Luke	2009/02/24

THIS DOCUMENT IS SUBJECT TO CHANGE WITHOUT NOTICE. IT IS CONFIDENTIAL AND A PROPERTY OF LTW. DISCLOSURE TO THIRD PARTY HAS TO BE AUTHORIZED BY LTW.