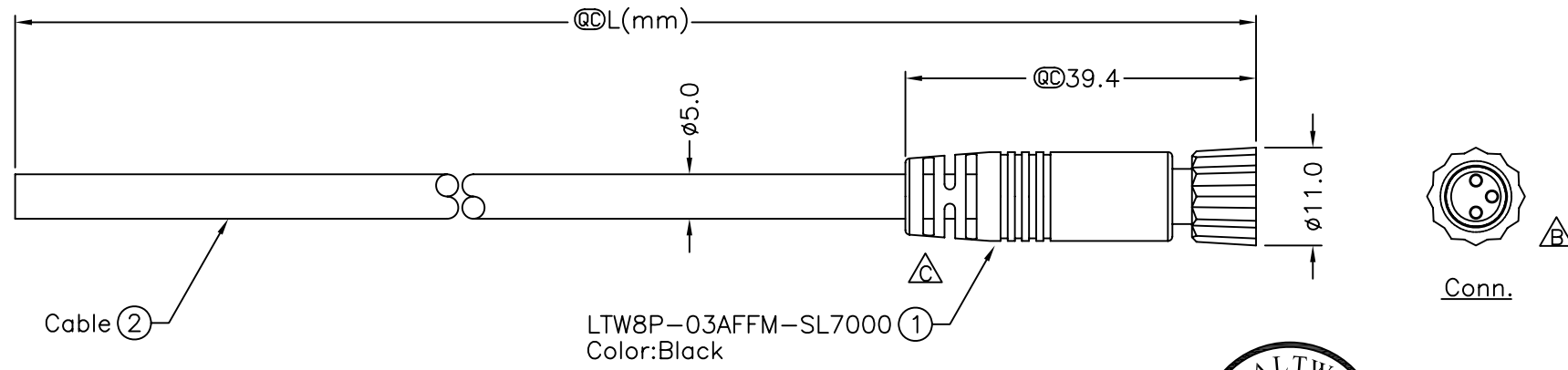


REV.	ECN NO.	DATE	SIGN	DESCRIPTION
B	LEN-920472~475	2009/02/19	Vicky	Update the drawing.
C	LEN11A0103~106	2011/09/19	Jiang Jun Hua	Change SR View

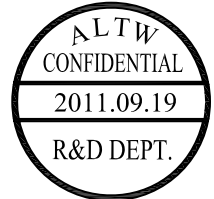
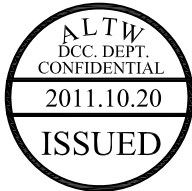
THIS DOCUMENT IS SUBJECT TO CHANGE WITHOUT NOTICE. IT IS CONFIDENTIAL AND A PROPERTY OF Amphenol LTW. DISCLOSURE TO THIRD PARTY HAS TO BE AUTHORIZED BY Amphenol LTW.



LTW8P-03AFFM-SL7000  
Color:Black

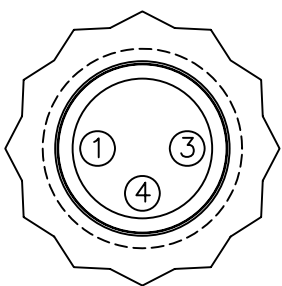
LTW8P-03AFFM-SL7AXX

XX:01~99Meters  
01:01Meter  
02:02Meters  
:  
:  
99:99Meters  
Cable Length(L):01~99Meters



Notes:

- \* @C Important Dimension.
- \* Waterproof Rate:IP67.
- \* Connector:Black,PU.
- \* Female Pin:Copper Alloy,Gold Plated.
- \* Cable:UL2464 22AWG\*3C+Talcum,Black, PVC Jacket,UV Resistant,OD=5.0mm.
- \* Cable Length Tolerance:
  - 01M:±40mm
  - 02M~05M:±60mm
  - 06M~10M:±100mm
  - 11M~30M:±200mm
  - 31M~99M:±500mm



Pin Assignments  
Front View

4	Black	黑
3	Blue	藍
1	Brown	棕
Conn.	Wire Color	
	Pin Out	

UNIT:mm	
TOLERANCE	
±0.5 mm	

TITLE	M8 Conn Cable Screw 3P F Conn F Pin	
SCALE	Free	SHEET 1 OF 1
REV.	C	SIZE A4
		@C :Inspection Item

**Amphenol LTW**  
安費諾亮泰企業股份有限公司

ITEM NO	DRAWN BY	DATE
	Jiang Jun Hua	2011/09/19
DWG NO	CHECKED BY	DATE
LTW8P-03AFFM-SL7AXX	Huangrongfang	2011/10/06
CUSTOMER	APPROVED BY	DATE
ALTW	Luke	2011/10/07