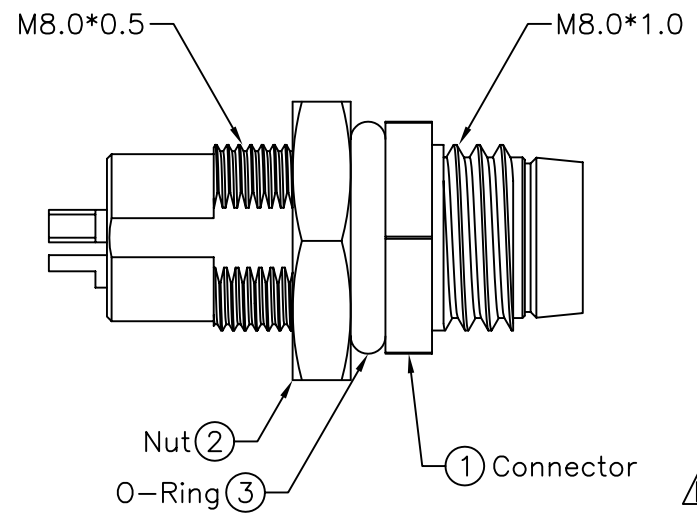
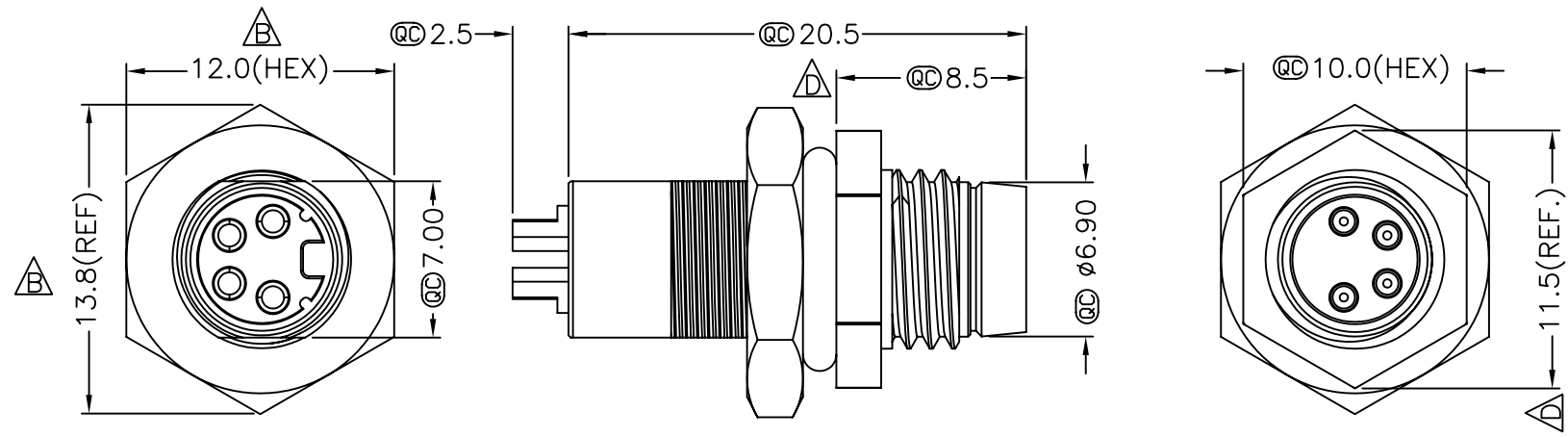


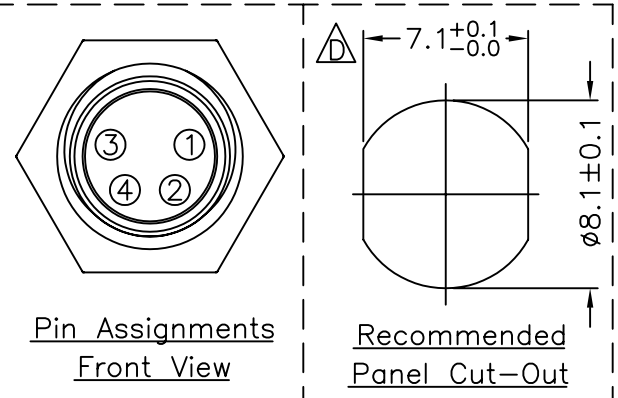
REV.	ECN NO.	DATE	SIGN	DESCRIPTION
B	LEN-750250	2007/05/26	Jason	Change Dimension of Nut
C	LEN-7A0179	2007/09/29	Myrdal	Added Note
D	LEN-910191	2009/01/07	Ivan Lin	Change rev. to ECN note

LTW  
DCC. DEPT.  
CONFIDENTIAL  
2009.01.19  
ISSUED

LTW  
CONFIDENTIAL  
2009.01.07  
R&D DEPT.



- Note:
- \* @C Important Dimension.
  - \* Waterproof Rate: IP67
  - \* Housing: Black, Nylon+GF
  - \* Male Pin: Copper Alloy, Gold Plated
  - \* Shield: Zinc Alloy, Nickel Plated
  - \* Nut: Copper Alloy, Nickel Plated
  - \* O-Ring: Black, EPDM
  - \* For Panel Thickness Max 3.5mm
  - \* Nut Torque: 4-6 kgf.cm



UNIT:mm		TITLE M8 Conn Panel Screw 4P M Conn M Pin	 亮泰企業股份有限公司	ITEM NO LTW8-04PMMS-SH7002	DRAWN BY Ivan Lin	DATE 2009/01/07
TOLERANCE .X ±0.25 .XX ±0.1 .XXX ±0.05 ANGLES ±1'	SCALE Free	SHEET 1 OF 1		DWG NO LTW8-04PMMS-SH7002	CHECKED BY Tommy Hom	DATE 2009/01/07
REV. D	SIZE A4	@C :Inspection Item		CUSTOMER	APPROVED BY Luke Chang	DATE 2009/01/07

THIS DOCUMENT IS SUBJECT TO CHANGE WITHOUT NOTICE. IT IS CONFIDENTIAL AND A PROPERTY OF LTW. DISCLOSURE TO THIRD PARTY HAS TO BE AUTHORIZED BY LTW.