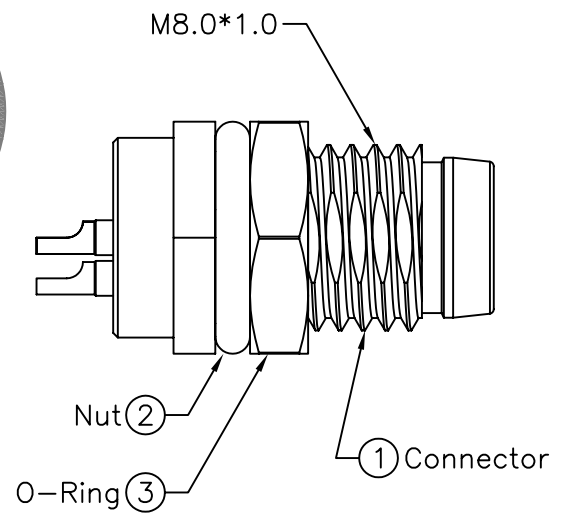
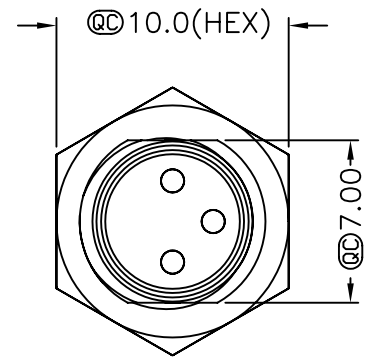
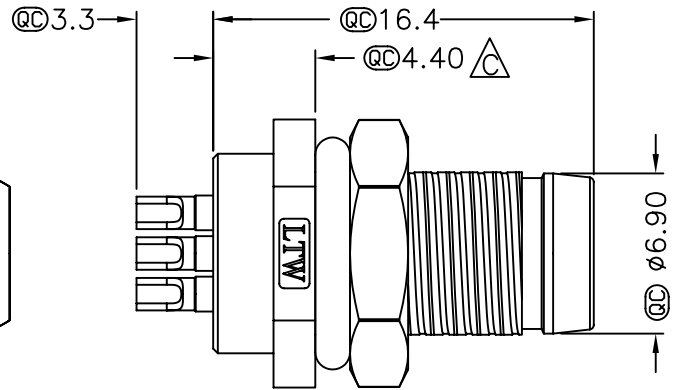
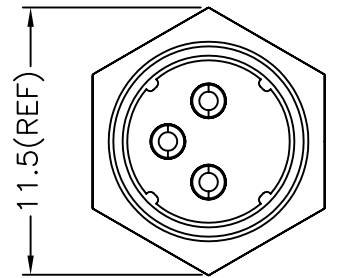
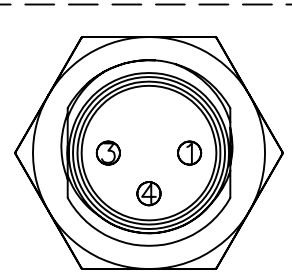


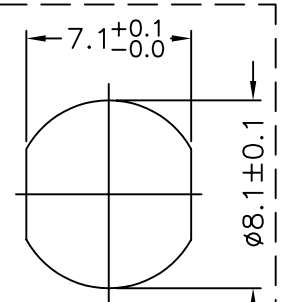
REV.	ECN NO.	DATE	SIGN.	DESCRIPTION
B	LEN-7A0174	2007/09/29	Myrdal	Added Note
C	LEN-910180	2009/01/07	Ivan Lin	Change rev. to ECN note



- Note:
- * @C Important Dimension.
 - * Waterproof Rate: IP67
 - * Housing: Black, Nylon+GF
 - * Male Pin: Copper Alloy, Gold Plated
 - * Shield: Zinc Alloy, Nickel Plated
 - * Nut: Copper Alloy, Nickel Plated
 - * O-Ring: Black, EPDM
 - * For Panel Thickness Max 3.0mm
 - * Nut Torque: 4-6 kgf.cm



Pin Assignments
Front View



Recommended
Panel Cut-Out

UNIT:mm		TITLE M8 Conn Panel Screw 3P M Conn M Pin	 亮泰企業股份有限公司		ITEM NO LTW8-03PMMS-SF7001	DRAWN BY Ivan Lin	DATE 2009/01/07
TOLERANCE .X ±0.25 .XX ±0.1 .XXX ±0.05 ANGLES ±1°		SCALE Free			SHEET 1 OF 1	DWG NO LTW8-03PMMS-SF7001	CHECKED BY Tommy Hom
1	2	REV. C	SIZE A4	@C :Inspection Item	CUSTOMER	APPROVED BY Luke Chang	DATE 2009/01/07

THIS DOCUMENT IS SUBJECT TO CHANGE WITHOUT NOTICE. IT IS CONFIDENTIAL AND A PROPERTY OF LTW. DISCLOSURE TO THIRD PARTY HAS TO BE AUTHORIZED BY LTW.