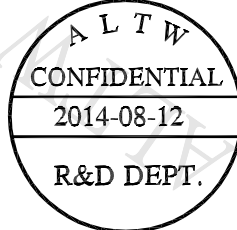
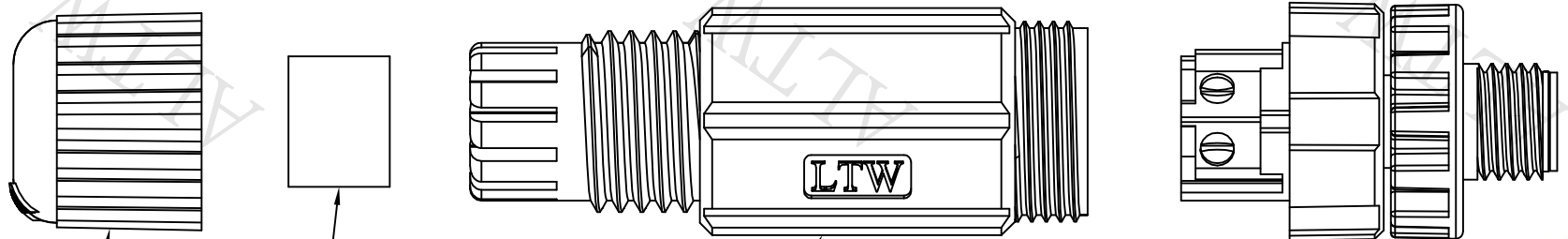
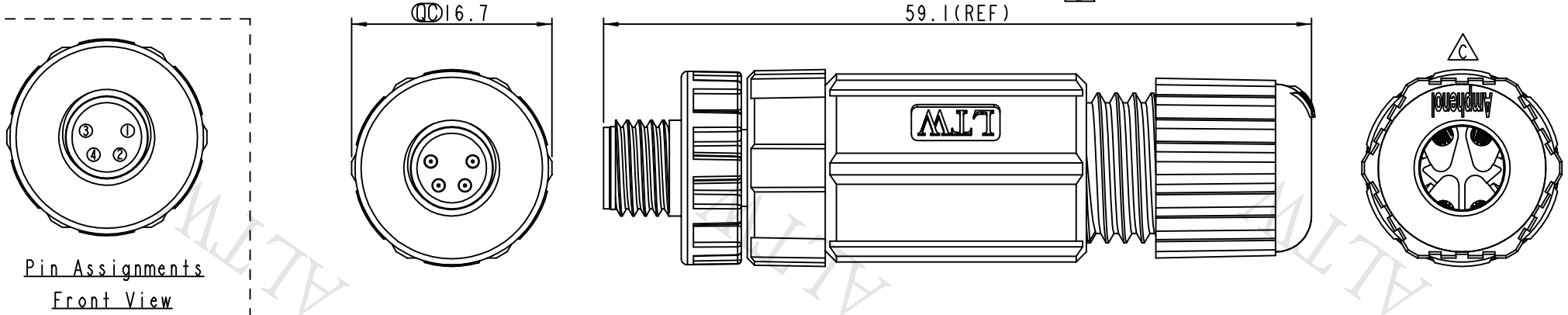


REV.	ECN NO.	DATE	SIGN	DESCRIPTION
A	Initial Release	2007/11/12	Jason	Change Rev. 02 To A
B	LEN1350176	2013/05/15	Vicky	Modify Note.
C	LEN1480615	2014/08/12	Rita	Update Logo



- Notes:
- * CC Important Dimension.
 - * Waterproof Rate: IP67.
 - * Housing: Nylon+GF, Black.
 - * Male Pin: Copper Alloy, Gold Plated.
 - * Nut: Nylon+GF, Black.
 - * Seal: EPDM, Black.
 - * $\triangle B$ Seals for Cable OD: $\varnothing 4.5\text{mm} \sim \varnothing 6.5\text{mm}$



UNIT: mm		TITLE M8P Conn Assy Screw 4Pin M Conn M Pin			Amphenol LTW 安費諾亮泰企業股份有限公司	ITEM NO 8P-04BMMB-SL7001	DRAWN BY Rita	DATE 2014-08-12	
		SCALE 2:1	SIZE A4	SHEET 1		OF 1	DWG NO 8P-04BMMB-SL7001	CHECKED BY Kris	DATE 2014-08-12
		REV. C	WC-REV. B.1	CC : Inspection item		CUSTOMER ALTW	APPROVED BY Wenmao	DATE 2014-08-12	

THIS DOCUMENT IS SUBJECT TO CHANGE WITHOUT NOTICE. IT IS CONFIDENTIAL AND A PROPERTY OF Amphenol LTW. DISCLOSURE TO THIRD PARTY HAS TO BE AUTHORIZED BY Amphenol LTW.