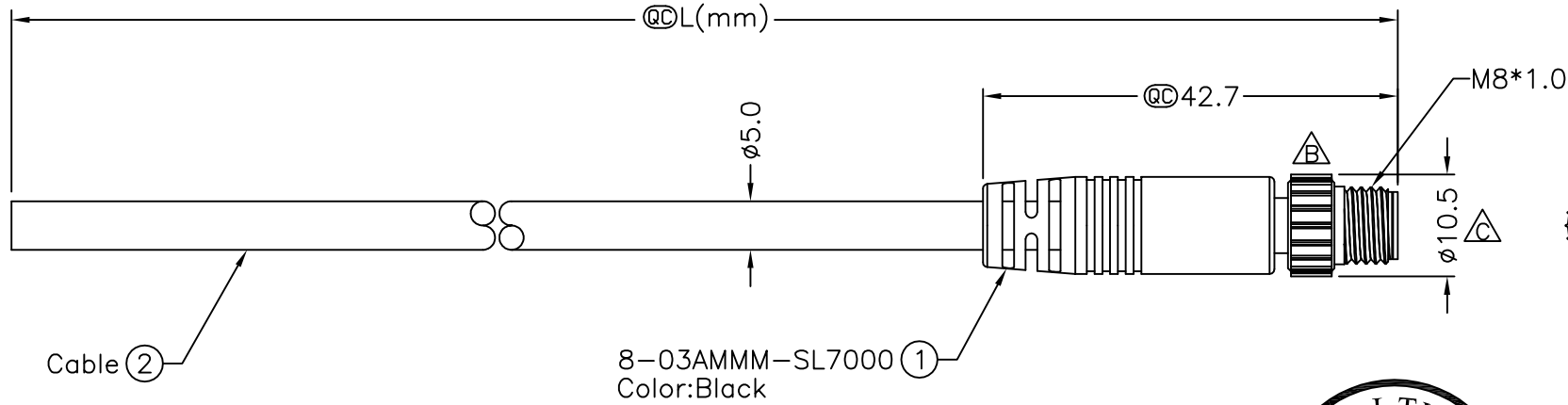


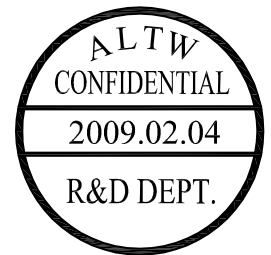
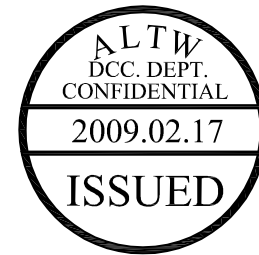
REV.	ECN NO.	DATE	SIGN	DESCRIPTION
B	LEN-710111~114	2007/01/12	Cloud	Change Nut BAB0296NI00 To BEA00010017.
C	LEN-920203~206	2009/02/04	Vicky	Update the drawing.



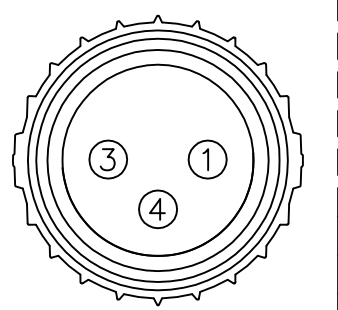
Cable ②

8-03AMMM-SL7000 ①  
Color:Black

8-03AMMM-SL7AXX  
 XX:01~99Meters  
 01:01Meter  
 02:02Meters  
 :  
 :  
 99:99Meters  
 Cable Length(L):01~99Meters



- Notes:
- \* @C Important Dimension.
  - \* Waterproof Rate:IP67.
  - \* Connector:Black,PU.
  - \* Male Pin:Copper Alloy,Gold Plated.
  - \* Cable:UL2464 22AWG\*3C+Talcum,Black, PVC Jacket,UV Resistant,OD=5.0mm.
  - \* Cable Length Tolerance: 01M:±40mm  
02M~05M:±60mm  
06M~10M:±100mm  
11M~30M:±200mm  
31M~99M:±500mm



Pin Assignments  
Front View

4	Black	黑
3	Blue	藍
1	Brown	棕
Conn.	Wire Color	
	Pin Out	

UNIT:mm		TITLE	M8 Conn
TOLERANCE			Cable Screw 3P M Conn M Pin
±0.5 mm		SCALE	Free
		SHEET	1 OF 1
REV. C	SIZE A4	@C	:Inspection Item

**Amphenol LTW**  
安費諾亮泰企業股份有限公司

ITEM NO	DRAWN BY	DATE
	Vicky	2009/02/04
DWG NO	CHECKED BY	DATE
8-03AMMM-SL7AXX	Ivan	2009/02/04
CUSTOMER	APPROVED BY	DATE
ALTW	Luke	2009/02/04

THIS DOCUMENT IS SUBJECT TO CHANGE WITHOUT NOTICE. IT IS CONFIDENTIAL AND A PROPERTY OF Amphenol LTW. DISCLOSURE TO THIRD PARTY HAS TO BE AUTHORIZED BY Amphenol LTW.