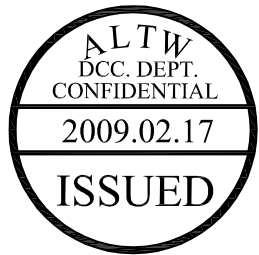
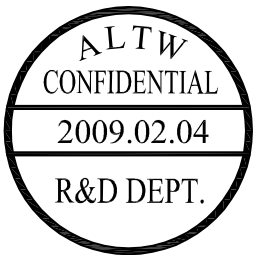
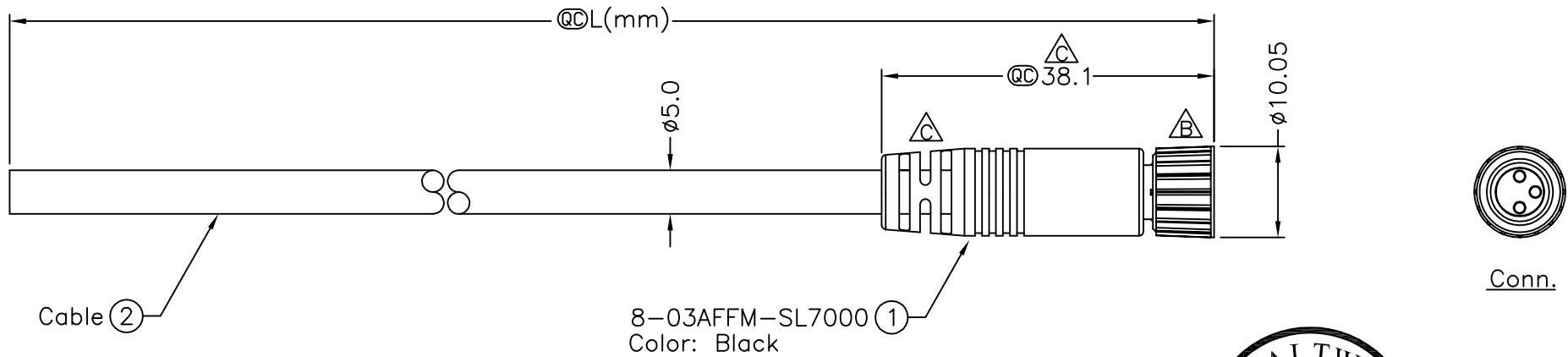


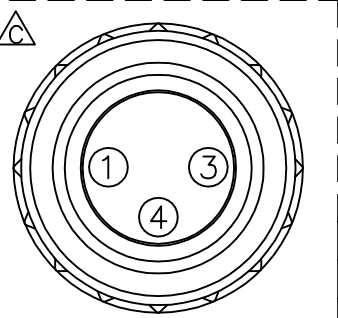
REV.	ECN NO.	DATE	SIGN	DESCRIPTION
B	LEN-710100~103	2007/01/12	R.Bondoc	Change Nut BAB0040NI00 To BEA00010016.
C	LEN-920185~188	2009/02/04	Vicky	Update the drawing.

THIS DOCUMENT IS SUBJECT TO CHANGE WITHOUT NOTICE. IT IS CONFIDENTIAL AND A PROPERTY OF Amphenol LTW. DISCLOSURE TO THIRD PARTY HAS TO BE AUTHORIZED BY Amphenol LTW.



8-03AFFM-SL7AXX
 XX:01~99Meters
 01:01Meter
 02:02Meters
 :
 :
 99:99Meters
 Cable Length(L):01~99Meters

- Notes:
- * @C Important Dimension.
 - * Waterproof Rate:IP67.
 - * Connector:Black,PU.
 - * Female Pin:Copper Alloy,Gold Plated.
 - * Cable:UL2464 22AWG*3C+Talcum,Black, PVC Jacket,UV Resistant,OD=5.0mm.
 - * Cable Length Tolerance: 01M:±40mm
 02M~05M:±60mm
 06M~10M:±100mm
 11M~30M:±200mm
 31M~99M:±500mm



4	Black	黑
3	Blue	藍
1	Brown	棕
Conn.	Wire Color	
	Pin Out	

UNIT:mm		TITLE	M8 Conn
TOLERANCE	±0.5 mm		Cable Screw 3P F Conn F Pin
SCALE	Free	SHEET	1 OF 1
REV.	C	SIZE	A4
		@C	:Inspection Item

Amphenol LTW 安費諾亮泰企業股份有限公司	ITEM NO	DRAWN BY	DATE
	DWG NO	CHECKED BY	DATE
	CUSTOMER	APPROVED BY	DATE
	8-03AFFM-SL7AXX	Vicky	2009/02/04
	ALTW	Ivan	2009/02/04
		Luke	2009/02/04

1 2 3 4 5 6 7 8

F

E

D

C

B

A

1 2 3 4 5 6 7 8

FMW10702-01-01A2