

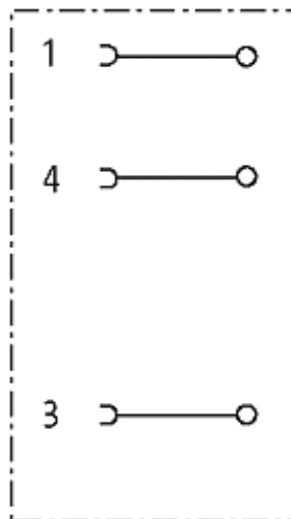
## M8 FEMALE 90° FIELD-WIREABLE (SOLDER PINS)

3-pol. 0.25mm<sup>2</sup>

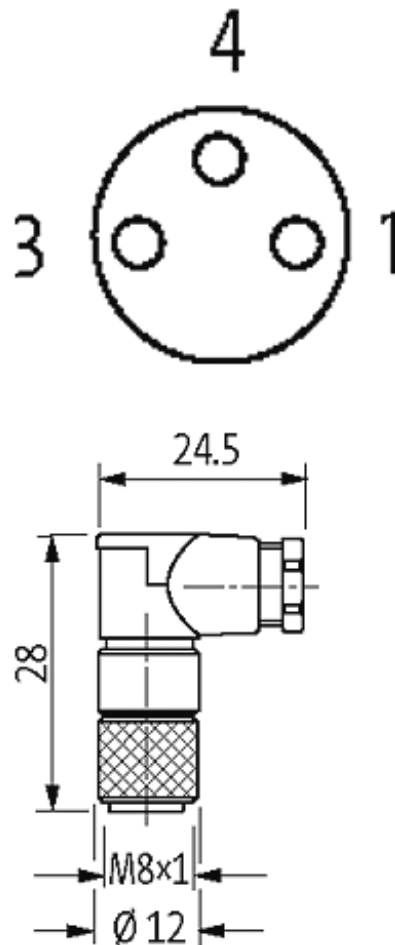
Female 90°  
3-pole  
with solder pins  
Connection cross section: max. 0.25 mm<sup>2</sup>

### [Link to Product](#)

#### Illustration



# Female



Product may differ from Image

## Approvals



## Form

Form 08521

## Technical Data

Operating voltage	max. 60 V AC/DC
Operating current per contact	max. 4 A
Connection cross section	max. 0.25 mm <sup>2</sup>
Sealing range (cable Ø)	3.5...5.0 mm
Protection	IP67 inserted and tightened (EN 60529)

## General data

Temperature range -25...+85 °C

The information in this brochure has been compiled with the utmost care.

Liability for the correctness completeness and topicality of the information is restricted to gross negligence. Version: 03/16

Murrelektronik GmbH | Falkenstraße 3, 71570 Oppenweiler | Fon +49 (71 91) 47-0, Fax +49 (71 91) 47-491000 | shop@murrelektronik.com | shop.murrelektronik.com

---

Dimensions H x W x D	28x18.5x12 mm
----------------------	---------------

**Commercial data**

---

country of origin	DE
-------------------	----

---

customs tariff number	85369010
-----------------------	----------

---

minimum order quantity	1
------------------------	---