

## M8 FEMALE 0° FIELD-WIREABLE (SOLDER PINS)

3-pol. 0.25mm<sup>2</sup>

Female straight

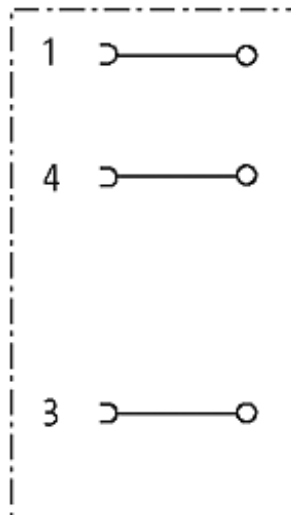
3-pole

with solder pins

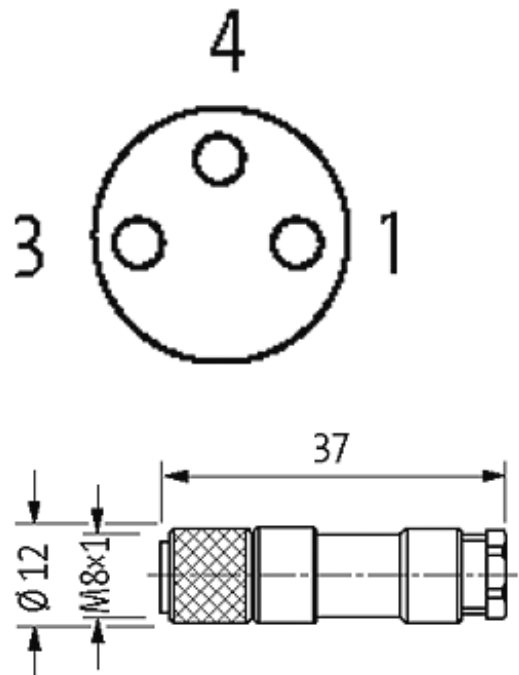
Connection cross section: max. 0.25 mm<sup>2</sup>

### [Link to Product](#)

#### Illustration



# Female



Product may differ from Image

## Approvals



## Form

Form 08481

## Technical Data

Operating voltage	max. 60 V AC/DC
Operating current per contact	max. 4 A
Connection cross section	max. 0.25 mm <sup>2</sup>
Sealing range (cable Ø)	3.5...5.0 mm
Protection	IP67 inserted and tightened (EN 60529)

## General data

Temperature range	-25...+85 °C
Dimensions H × W × D	37×12×12 mm

## Commercial data

country of origin	DE
customs tariff number	85369010
minimum order quantity	1