

MOSA M8 FEMALE 0° FIELD-WIREABLE (IDC)

3-pol., 0,14-0,34mm²

Female straight

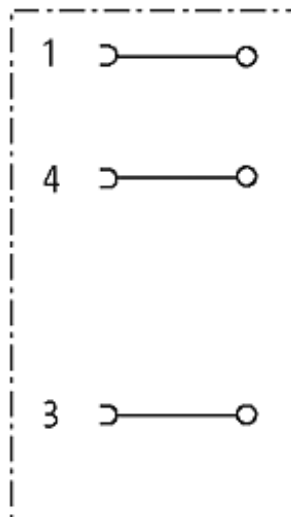
3-pole

Insulation displacement technology

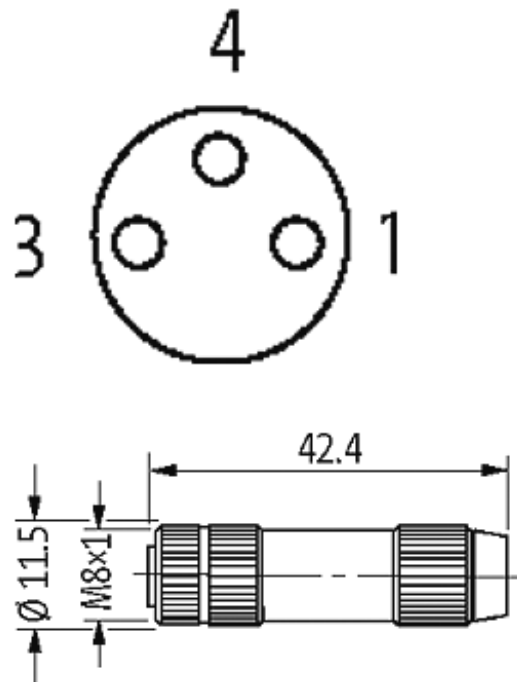
Connection cross section: 0.14...0.34 mm²

[Link to Product](#)

Illustration



Female



Product may differ from Image

Approvals



Form

Form 08371

Technical Data

Operating voltage	max. 32 V AC/DC
Operating current per contact	max. 4 A
Connection cross section	0.14...0.34 mm ² (conductor diameter min. 0.1 mm)
Sealing range (cable Ø)	2.5...5.1 mm (gasket included)
Wire isolation	PVC, PP, TPE
Outer wire Ø	1.0...1.6 mm
Protection	IP67 inserted and tightened (EN 60529)

General data

Temperature range	-25...+85 °C
Dimensions H x W x D	42.5x12x12 mm

Commercial data

country of origin	DE
-------------------	----

customs tariff number	85369010
minimum order quantity	1
