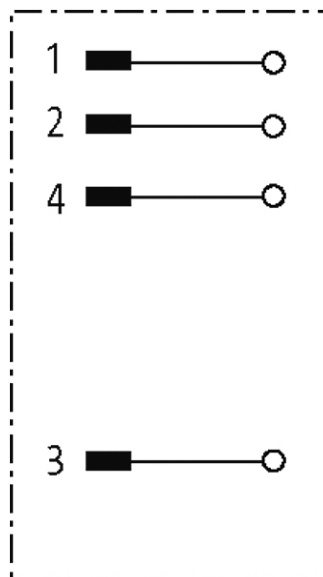


**MOSA M8 MALE 0° FIELD WIREABLE (IDC)**4-pol., 0,14-0,34mm<sup>2</sup>

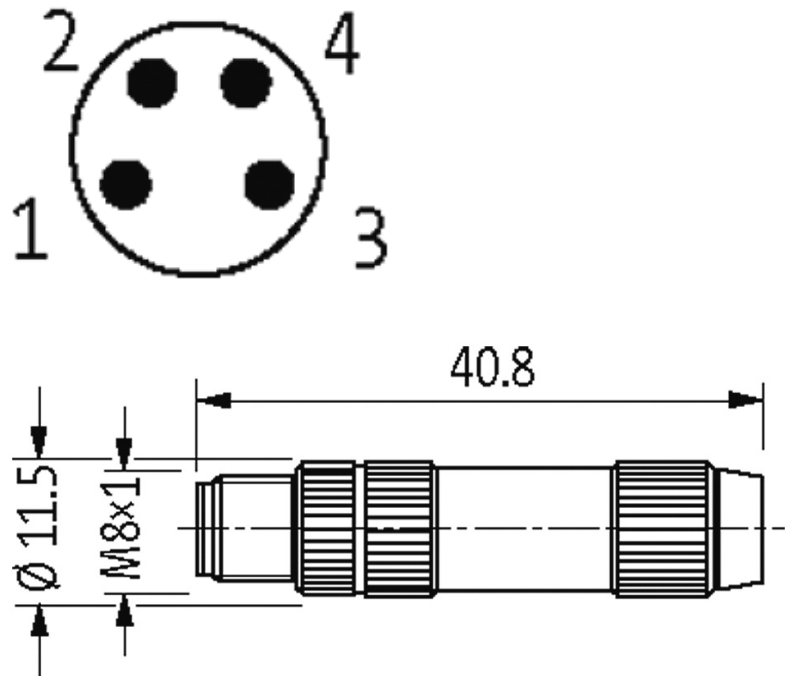
Insulation displacement technology IDC

Male straight

M8, 4-pole

Connection cross section: 0.14...0.34 mm<sup>2</sup>[Link to Product](#)**Illustration**

# Male



Product may differ from Image

## Approvals



## Form

Form 08351

## Technical Data

Operating voltage	max. 32 V AC/DC
Rated surge voltage	0.8 kV
Operating current per contact	max. 4 A
No. of poles	4
Configuration	fully used
Material group	IEC 60664-1, category I
Over voltage category	3
Isolation resistance	$\geq 10^8$ Ohm
Contact resistance	$\leq 10$ mOhm
Connection cross section	0.14...0.34 mm <sup>2</sup> (conductor diameter min. 0.1 mm)
Sealing range (cable Ø)	2.5...5.1 mm (gasket included)

The information in this brochure has been compiled with the utmost care.

Liability for the correctness completeness and topicality of the information is restricted to gross negligence. Version: 05/17

Murrelektronik GmbH | Falkenstraße 3 | 71570 Oppenweiler | Fon +49 (71 91) 47-0 | Fax +49 (71 91) 47-491000 | shop@murrelektronik.com | shop.murrelektronik.com

Outer wire Ø	1.0...1.6 mm
Locking of ports	Screw thread M8 × 1 mm (recommended torque 0.4 Nm) self-securing
Compression gland	M8 (SW9)
Protection	IP67 inserted and tightened (EN 60529)
Wire isolation	PVC, PP, TPE
Material	PA
Locking material	Zinc die casting, matte nickel plated
Mating cycles	≥ 100
Reconnection (cable)	10

#### General data

Standards	DIN EN 61076-2-104
Connection	Insulation displacement technology IDC
Mounting method	inserted, tightened
Contact material	Copper alloy
Dimensions H × W × D	40.8×11.5×11.5 mm
Pollution Degree	3
Temperature range	-25...+85 °C

#### Commercial data

country of origin	DE
customs tariff number	85366990
EAN	4048879224710
eClass	27279218
minimum order quantity	1