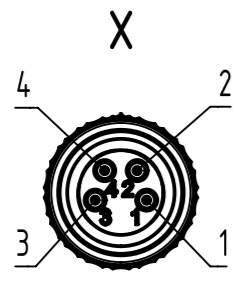


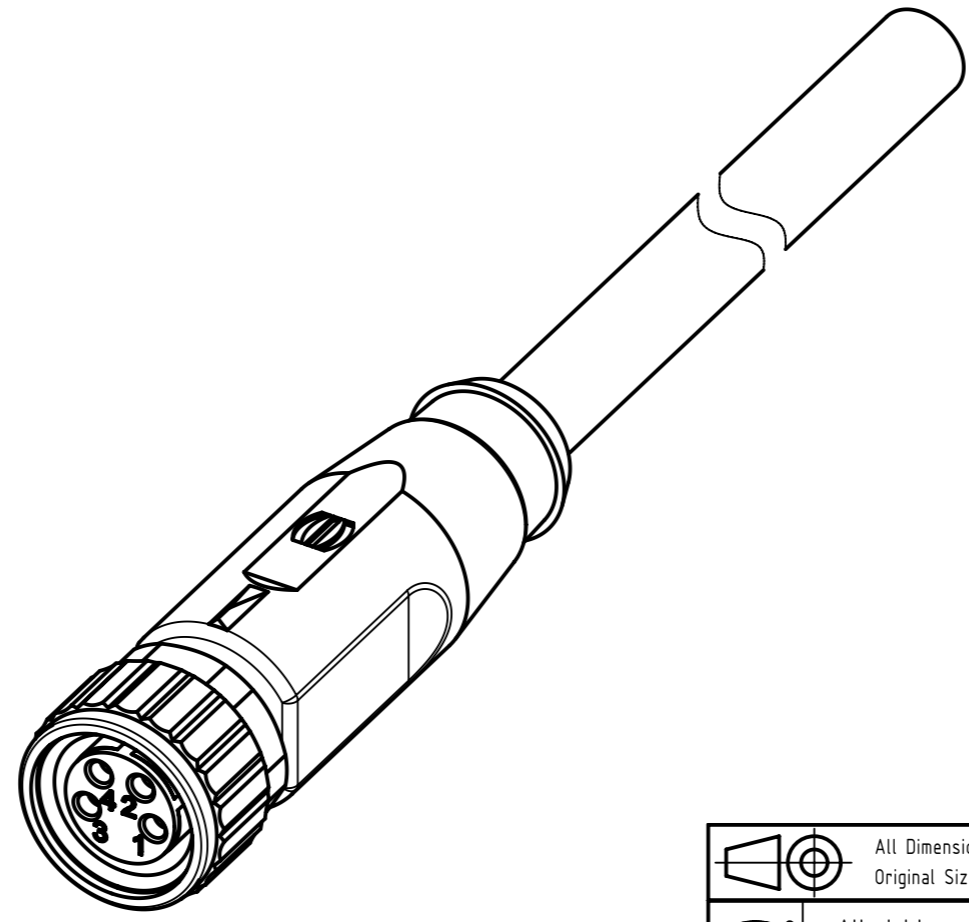
M8 4-poles, female straight connector

Loading-Plan:



- 1 brown
- 2 white
- 3 blue
- 4 black

- Protection level: IP67  
 - Temperature range: -25°C ... +80°C



length in "1m" step	40	XXX=400
	39	XXX=390
	.	.
	12	XXX=120
length in "0.1m" step	11	XXX=110
	10	XXX=100
	9.9	XXX=099
	9.8	XXX=098
	.	.
	0.4	XXX=004
	0.3	XXX=003
	0.2	XXX=002
0.1	XXX=001	
Step	a [m]	XXX

4.0 to 40	+1%
0.1 to 3.9	+0.04
a [m]	Tolerance

Part no.	213481004XXXXX
----------	----------------

Type of cable	XX
PVC grey, 4x0.25mm <sup>2</sup>	XX=81
PUR black, 4x0.25mm <sup>2</sup>	XX=89

	All rights reserved		Created by TAMAS		Inspected by AVRAM		Standardisation HOFFMANN		Date 2014-07-01		State Final Release	
	Department EC PD - RO		Title M8 Cable Assembly		Doc-Key / ECM-Nr. 100577970/UGD/009/A 50000076586		Rev. A		Page 1/1			
HARTING Electronics GmbH D-32339 Espelkamp			Type TB	Number 213481004XXXXX								