


## Product information

### RKMVV/LED - RKMVV/LED A 3-06/2 M

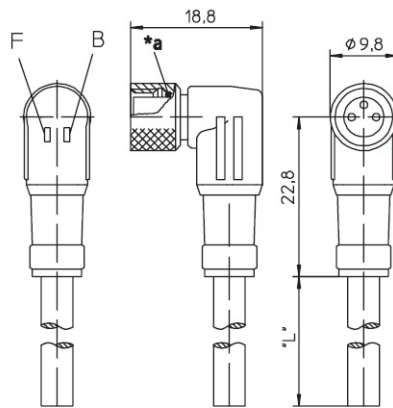
Industrial Connecting Solutions: Circular Connectors: M8 - M12 Connectors: M8 Connectors: Overmolded single ended M8 cord sets: female connector: with LED, with threaded joint or snap-in joint: RKMVV/LED

[http://e-catalog.hirschmann.com/link/57078-24228-256281-256292-256303-250524-250526-250529-251294/en/RKMVVLA3\\_006\\_0200/ui:state](http://e-catalog.hirschmann.com/link/57078-24228-256281-256292-256303-250524-250526-250529-251294/en/RKMVVLA3_006_0200/ui:state)

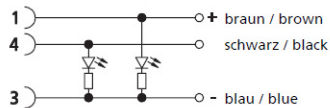
<b>Name</b>	RKMVV/LED
	
	Cordsets, single-ended, for actuator/sensors and distribution boxes, M8 female connector, angled, with self-locking threaded joint and molded cable, LED operation and function indicator (pnp), 3 poles, PVC jacket, orange, 2 meters.
<b>Delivery informations</b>	
<b>Availability</b>	available
<b>Product description</b>	
<b>Type</b>	RKMVV/LED A 3-06/2 M
<b>Order No.</b>	11336
<b>Description</b>	Cordsets, single-ended, for actuator/sensors and distribution boxes, M8 female connector, angled, with self-locking threaded joint and molded cable, LED operation and function indicator (pnp), 3 poles, PVC jacket, orange, 2 meters.
<b>Note</b>	The application of these products in harsh environments should always be checked before use.
<b>Number of contacts</b>	3
<b>Color of housing</b>	black translucent
<b>Product characteristics</b>	Vibration resistance
<b>Classification</b>	
<b>Belden brand</b>	Lumberg-Automation
<b>Mechanical data</b>	
<b>Type of plug-in contact</b>	Female connector
<b>Design of housing</b>	angled
<b>Thread</b>	M8
<b>Design of electrical connection</b>	connector M8
<b>LED display present</b>	✓
<b>Environmental conditions</b>	
<b>Environmental temperature</b>	-40 °C ... 90 °C
<b>Degree of protection (IP), mounted</b>	IP67 / IP69K
<b>Pollution degree</b>	3
<b>Materials</b>	
<b>Housing material / Molded body</b>	TPU
<b>Contact bearer material</b>	PA/TPU
<b>Contact material</b>	CuZn
<b>Contact material - Surface refinement</b>	pre-nickelated and 0.8 microns gold-plated
<b>Knurled screw / nut material</b>	CuZn, nickel-plated
<b>Sealing material</b>	FKM
<b>Electrical data</b>	
<b>Contact resistance</b>	≤ 5 mΩ
<b>Rated current I<sub>n</sub></b>	4 A at 40°C
<b>Nominal voltage</b>	10 - 30 V DC
<b>Rated voltage</b>	32 V
<b>Insulation resistance</b>	> 1 GΩ
<b>Approvals</b>	
<b>Approvals</b>	UL
<b>Cable</b>	
<b>Cable length</b>	2 m
<b>Cable number</b>	06

**Industrial Connecting Solutions: Circular Connectors: M8 - M12 Connectors: M8 Connectors: Overmolded single ended M8 cord sets: female connector: with LED, with threaded joint or snap-in joint: RKMWW/LED**
[http://e-catalog.hirschmann.com/link/57078-24228-256281-256292-256303-250524-250526-250529-251294/en/RKMWWLA3\\_006\\_0200/uistate](http://e-catalog.hirschmann.com/link/57078-24228-256281-256292-256303-250524-250526-250529-251294/en/RKMWWLA3_006_0200/uistate)

<b>Cable description</b>	Sensor connecting cable
<b>Color of jacket</b>	orange
<b>Material of outer jacket</b>	PVC
<b>Without halogens as in EN 50267-2-3</b>	✗
<b>shielded</b>	✗
<b>welding spark proof</b>	✗
<b>Outer diameter of the cable</b>	5.0 mm
<b>Number of conductors</b>	3
<b>Cable design</b>	3 x 0.34 mm <sup>2</sup>
<b>Conductor design</b>	42 x 0.10 mm
<b>Flame resistant according to standard</b>	none

**Picture**
**Drawing**


**A** pnp-Schließer /  
 pnp Normally open =  
 gelb-grün / yellow-green



**3-polig**  
**3 poles**



1 = braun / brown  
 3 = blau / blue  
 4 = schwarz / black

**Belden Deutschland GmbH**  
 Im Gewerbepark 2  
 58579 Schalksmühle  
 Germany  
 Phone: +49 7127/14-1806  
 E-Mail: icos-sales@belden.com

The information published in the websites has been compiled as carefully as possible. It is subject to alteration without notice in technical as well as in price-related/commercial respect. The complete information and data were available on user documentation. Mandatory information can only be obtained by a concrete query.