

U.I. Lapp GmbH	<b>DATASHEET</b>	
	<b>EPIC® ZYLIN R 3.0 A</b>	00008746 14.11.2013

Circular connectors with solder termination, 21-pin and 26-pin  
highest contact density at small space requirements  
Connector in solder version for easy maintenance



Corrosion-resistant



Industrial machinery and plant engineering



Mechanical resistance



Space requirement



#### Application range

Machine and equipment manufacturing  
Measurement and control technology

#### Remark

Photographs are not to scale and do not represent detailed images of the respective products.


Product Management	Document: EPIC® ZYLIN R 3.0 A	1 / 3
--------------------	-------------------------------	-------

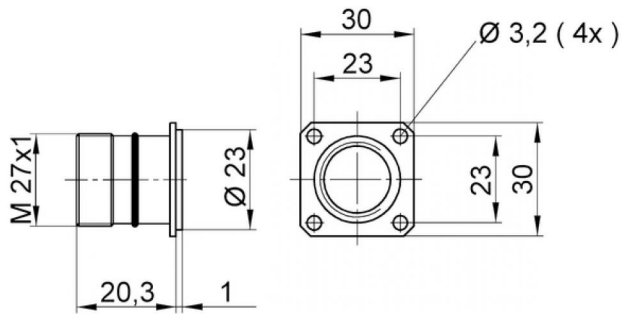
U.I. Lapp GmbH	<b>DATASHEET</b>	
	<b>EPIC® ZYLIN R 3.0 A</b>	<b>00008746</b> <b>14.11.2013</b>

### Technical Data

Article:	ZYLIN R 3.0 A
Version:	female
Contacts:	1 - 26
Pin configuration:	P-Part
Coding:	N
Fastening type:	Ø 3.2 mm (4x)
Pieces / PU:	5
Rated voltage (V):	24V AC / 60VDC
Rated impulse voltage:	1.5 kV
Rated current (A):	7.5 A
Contact resistance:	< 3 mOhm
Contacts:	Copper alloy, gold-plated
Number of contacts:	21-pin / 26-pin
Termination methods:	Solder termination: up to 1.0 mm <sup>2</sup>
Material:	Housing: nickel-plated copper alloy Insert: thermoplastic Sealing: neoprene
Protection rating:	IP 67 (maximum, dependant on cable gland used)
Cycle of mechanical operation:	500
Temperature range:	-40 °C to +100 °C, short-term up to +125 °C

Product Management	Document: EPIC® ZYLIN R 3.0 A	2 / 3
--------------------	-------------------------------	-------

U.I. Lapp GmbH	<h1>DATASHEET</h1>	 <b>LAPP GROUP</b>
	<b>EPIC® ZYLIN R 3.0 A</b>	<b>00008746</b> <b>14.11.2013</b>



Product Management	Document: EPIC® ZYLIN R 3.0 A	3 / 3
--------------------	-------------------------------	-------